

Rinnai

Operation / Installation Manual

操作 / 安装说明

Petunjuk Pemakaian / Pemasangan

Hoạt động / Hướng dẫn lắp đặt

คู่มือการติดตั้ง/การใช้งาน

Telescopic Hood

抽拉式烟机

Tudung Hisap

Máy Hút Khói Mùi – Dòng Telescopic

เครื่องดูดควันแบบสไลด์

RH-T306-SSV

RH-T307-SSV

RH-T309-SSV

Rinnai Corporation

English

中文

Bahasa Indonesia

Tiếng Việt

ภาษาไทย

TABLE OF CONTENTS

English	Page 1 - 7
中文	8 - 14 页
Bahasa Indonesia	Hal. 15-21
Tiếng Việt	Trang 22 - 28
ภาษาไทย	หน้า 29 - 35

CONTENTS

Safety warnings	1
Specifications & components	3
Installation	4
Operation	5
Maintenance and care	6
Troubleshoot	7



IMPORTANT

To register your product warranty, please paste the serial numbers stickers enclosed with the packaging on your warranty card. Please contact your local Rinnai Customer Care Centre should you require further assistance.

SAFETY WARNINGS

Please read this user manual thoroughly before attempting to use this appliance for the first time. This manual contains important information on safe installation, use and care of the appliance. Keep these instructions for reference and pass them on to future user.

Unpacking

- Do not use the appliance if there are obvious signs of transportation damage.
- If the power supply cord is damaged, it must be replaced by the manufacturer, its service agent or qualified technician to avoid hazard.
- Please ensure that young children do not play with plastic bag packaging.

For the installer

- The extractor hood can be installed over gas and electric cook top. Minimum installation height from the bench top to the bottom of the hood is 700mm (gas range) and 550mm (electric range) (Fig. 1).

For the user

- The extractor hood is designed for domestic use to eliminate unpleasant odors from the kitchen. Do not use the hood for uses other than its specific purpose.
- Do not allow young children to play with or operate the appliance. Supervise its use by the elderly or infirm.
- Installation and repair should be attempted by qualified technical personnel only.
- It is dangerous to modify any part of this appliance. Tampering with electrical connections or mechanical parts can cause operation faults and may put the user at risk.
- Never leave high naked flames under the extractor hood when it is in operation. Always cover lit burners with cookware.

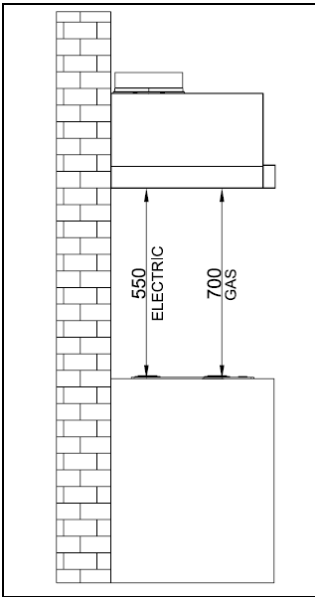


Fig. 1

- Always mount the extractor hood over the center of the hob.
- Ensure that the appliance is installed in a location with good permanent ventilation.
- When making the electrical connections, check that
 - the mains voltage and frequency corresponds to the technical information shown on the rating plate.
 - Electrical connection must be made in accordance to local standards only. Check that the voltage in your area is correct before plugging in.
- Use an electrical connector with earth that is correct for your location. The electrical connection of this appliance must be connected to earth (*where applicable*):
 - Green & Yellow = EARTH; Blue = NEUTRAL; Brown = LIVE
- Ducted mode:
 - Connect the extractor hood to the exhaust duct through a pipe of minimum $\varnothing 125\text{mm}$. Use the shortest and straightest duct route possible.
 - Do not connect the extractor hood to exhaust ducts carrying combustion fumes.
 - Arrange proper ventilation if the extractor hood is used in conjunction with other appliances which are not supplied by electrical power e.g. gas burning appliances. The kitchen must have a direct opening to the outside in order to allow entry of fresh air.

Note: The manufacturer accepts no responsibility for complaints attributed to the design and layout of the pipe work.

- Do not flambé or grill with an open flame directly under the extractor hood. Flames could be drawn up into the hood by the suction and the grease filters may catch fire.
- Monitor cooking continuously as overheated oil increases the risk of self-ignition.
- Do not operate the extractor hood without a grease filter.
- It is important to clean and/or replace the filters at appropriate intervals.
- Grease deposits build-up increases the risk of fire.
- Always disconnect the unit from the power supply before carrying out any cleaning or maintenance work on the hood.
- Ensure that the power supply chord is free from any heat source or sharp objects.
- Multiple plugs and extension cables must not be used. Overloading is dangerous and may cause a fire hazard.

Disposal

- This appliance and its packaging are environmentally friendly and recyclable. Please help us to care for the environment by disposing the packaging in a proper manner and recycling any old appliances.
- Before disposing an old appliance, disconnect it from the power supply and cut the power supply cord to prevent hazards.

The manufacturer will not be held liable for any damages resulting from improper installation nor failure to adopt proper safety measures during installation and operational use of the appliance.

SPECIFICATIONS

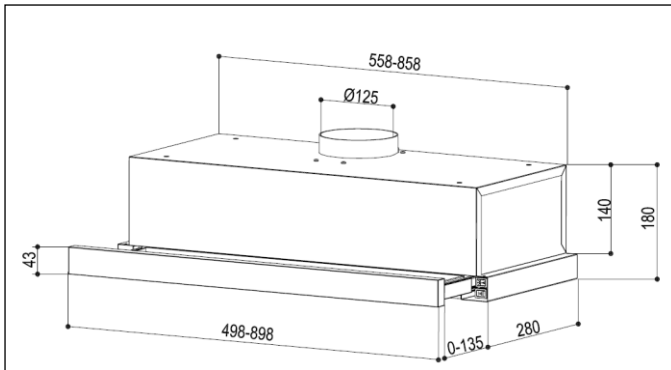


Fig. 2

Model	RH-T306-SSV RH-T307-SSV RH-T309-SSV
Voltage	220V - 240V / 50Hz
Power of Motor	125W
Power of Lamps	2 x 40W
Cable Length	1.5m
Appliance Dimension	(W x D x H):
60cm model	600 x 280 x 180mm
70 cm model	700 x 280 x 180mm
90cm model	900 x 280 x 180mm
<i>Note: The manufacturer reserves the right to effect any technological improvement or modification without prior notice.</i>	

COMPONENTS

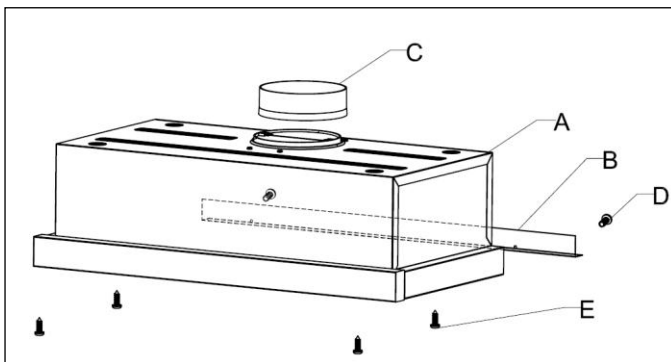


Fig. 3

Ref	Qty	Product components
A	1	Hood Body (includes Blower, Switch control, Light, Filters & Sliding Carriage)
B	1	Closing Element
C	1	Duct Connector
		Qty Installation components
D	2	Screw ST4 x 8
E	4	Screw ST4 x 16 (supplied with 60 & 70cm model) Screw M6 x 30 (supplied with 90cm model)
		Qty Documentation
	1	Operation / Installation Manual

INSTALLATION

This appliance can be installed in ducted or recirculation mode.

Ducted mode (Fig. 4)

- In ducted mode, the extractor hood fan extracts the cooking vapours and passes them through the grease filter. The air then flows to the outside.
- The grease filter absorbs the solid particles in the cooking vapors.
- In this mode, **only grease filters are installed (charcoal filter is optional)**.

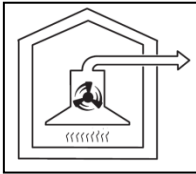


Fig. 4

Recirculation mode (Fig. 5)

- In recirculation mode, the extractor hood fan extracts the cooking vapors which are purified in the grease filter and charcoal filter.
- The purified air is then recirculated into the kitchen via a vent opening in the hood. The grease filter absorbs the solid particles in the cooking vapors.
- The charcoal filter is designed to absorb cooking odor. In this mode, **both grease filters and charcoal filters are installed**.



Fig. 5

Fitting into wall cabinet (Fig. 6)

Do ensure that the appliance is mounted on a solid surface which could withstand the appliance's weight.

- The hood support must be 140mm above the bottom of the wall cabinet.
- For *ducted mode* version, cut a minimum \varnothing 135mm duct hole on hood support.
- Lift the hood into the cabinet from below. Secure using 4 (four) ST4 x 16⁺ or M6 x 30[^] screws provided.
(Note: ⁺ for RH-T306-SS and RH-T307-SS; [^] for RH-T309-SS)

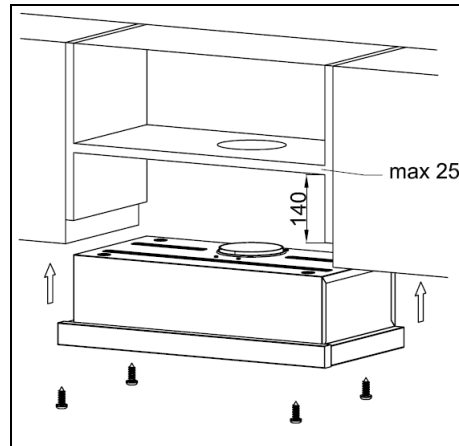


Fig. 6

Closing element (if necessary) (Fig. 7)

- Fix the closing element to the hood using 2 (two) ST4 X 8mm screws provided.

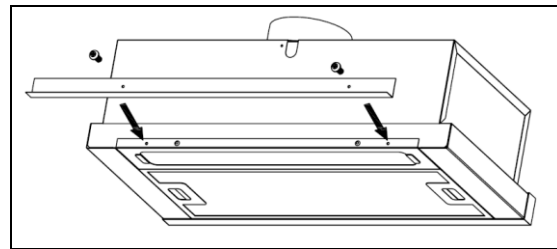


Fig. 7

Connection (Fig. 8)

- For *ducted mode*:
 - Use \varnothing 125mm pipe (flexible if possible) and fix it with a pipe-tightening ring (not provided) at the reduction fitting.
 - Connect the pipe to the outdoor duct.
 - Remove charcoal filters and use only grease filter for more powerful suction.
- For *recirculation mode*:
 - Insert the charcoal filters.

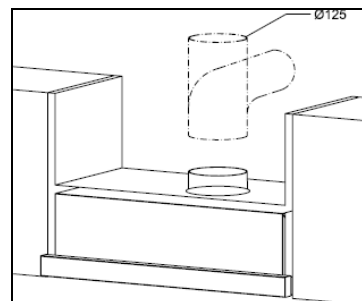


Fig. 8

Installation must be performed by qualified personnel only. The manufacturer declines all responsibility for improper installation and does not accept responsibility for appliance warranty in the event of damage caused by incorrect installation.

OPERATION

To achieve better air extraction, we recommend you to switch on the blower a few minutes before starting to cook. Leave it on for approximately 15 minutes after cooking or till all cooking smell is completely removed.

Speed settings (Fig. 9)

- ① **LOW** : Switches the fan on at low speed.
- ② **OFF** : Switches the fan off.
- ③ **HIGH** : Switches the fan on at high speed.

*The motor automatically regulates on/off by opening/closing the sliding carriage. The motor works according to the last speed selected when sliding carriage is opened.

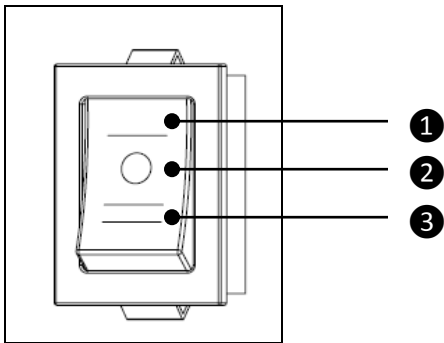


Fig. 9

Light (Fig. 10)

- ④ **ON** : Switches the light system on.
- ⑤ **OFF** : Switches the light system off.
- ⑥ **AUTO** : Light system automatically switches on/off when sliding carriage is opened/closed.

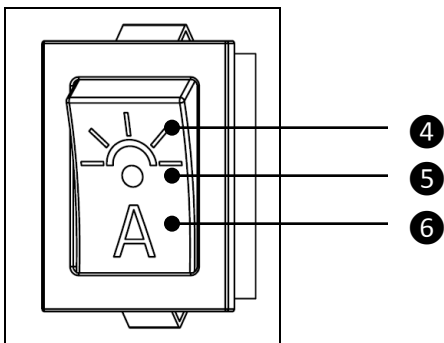


Fig. 10

MAINTENANCE AND CARE

Disconnect the power supply cord before carrying out any cleaning or maintenance activities. It is important to clean and/or replace the filters at appropriate intervals as grease deposits build-up increases the risk of fire. Do not operate the extractor hood without grease filter.

Grease filter (Fig. 11)

- Grease filters are used to absorb the grease particles formed during cooking process. The filters must be removed and cleaned every 4 weeks, depending on frequency of usage. Clean the filter either by hand or in the dishwasher. Note: Take care not to bend the filters during washing.
- If by hand washing, soak the filters in warm detergent solution to simplify the removal of grease. Brush the filters, rinse thoroughly and leave it to dry before refitting.
- If by dishwasher, select an appropriate wash program. Leave it to dry before refitting. Note: slight discoloration of the filter may occur.
- Removing and inserting the grease filters:
 - To remove, depress the handle and pull down at the same time.
 - To refit, slot the filter into position. Make sure that the handle is visible on the outside.

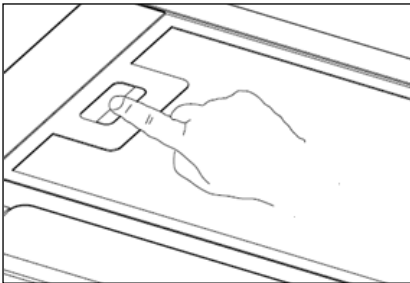


Fig. 11

Charcoal filter (where applicable) (Fig. 12)

- The charcoal filters should be replaced when it is noticeably dirty or discolored, usually after 6 to 12 months depending on the conditions of use.
- These filters are not washable and cannot be restored. To ensure that this appliance functions effectively, regular maintenance is necessary as clogged filters restrict airflow and may cause the motor to overheat.
- Removing and inserting the charcoal filter:
 - Remove the grease filters.
 - Remove the saturated charcoal filter from the blower as shown.
 - Fit in the new charcoal filter.
 - Refit the grease filters.

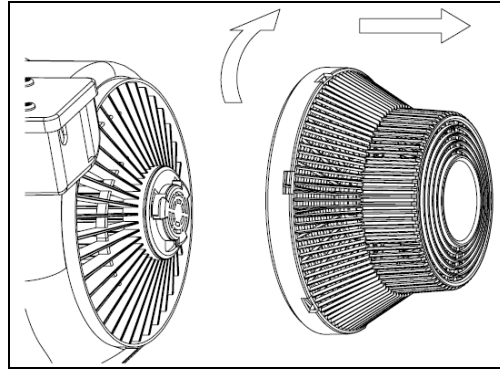


Fig. 12

Cleaning the appliance body

- Clean the extractor hood using warm detergent solution and a soft damp cloth. Wipe dry with a lint-free cloth.
- Avoid using corrosive or abrasive products that could damage the surface.

Light replacement (Fig. 13)



Replace the light bulb with another which has the same characteristics as a higher voltage bulb could damage the electrical unit.

- Removing and replacing the lights:
 - Remove the damaged light bulb as shown.
 - Replace with a new one.

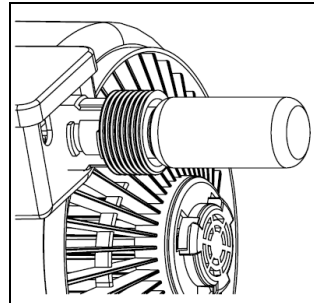


Fig. 13

You are strongly recommended to follow these safety instructions. The manufacturer will not be held liable for any damages to the appliance or any fire hazard due to failure to observe the above safety recommendations.

TROUBLESHOOT

Problem	Possible Cause	Solution
Extractor hood does not function	No electrical supply	Check that plug is connected and main power switch is turned on
Poor airflow	Grease filters clogged with grease build-up	Clean the grease filters and refit when dry
	Charcoal filters clogged with grease build-up	Replace charcoal filters with new sets
Hood suction is not effective	Inadequate ventilation	Ensure that the kitchen is sufficiently ventilated to allow entry of fresh air
	Charcoal filters are not installed	Install charcoal filters for setting in recirculation mode
Motor is running but no airflow	Poor exhaust	Please contact Rinnai Customer Care Service
Whirring sound	Foreign object may be in contact with fan blade	Please contact Rinnai Customer Care Service
Lights are not working	Lamps are burnt out	Replace the damaged lamps
	Lamps are loose	Tighten the lamps

If problem persists after the above checks, please contact Rinnai Customer Care Centre for assistance.

Please quote the model number of your appliance as shown on the rating plate attached to your equipment (Fig. 14).

For service calls under warranty, please note that it is necessary to produce your proof of purchase and valid warranty card.

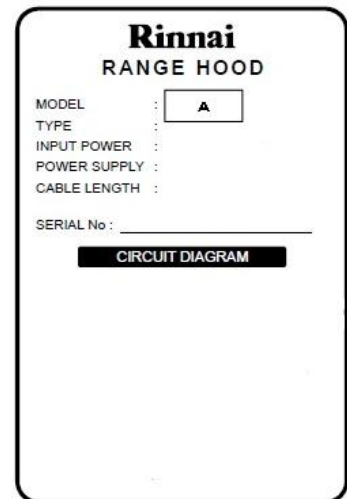


Fig.14 - Rating plate is for illustration purpose only and its specifications vary across models.

目录

安全警告	8
规格及零部件	10
安装	11
操作	12
维修与保养	13
常见故障的识别与处理	14



重要提示

要注册您的产品保修，需要把序列号贴纸贴到随机器包装的保用证上。请联系当地的林内客户售后服务中心咨询更新信息。

安全警告

在使用本器具前，请仔细阅读本使用手册。本手册包括重要的涉及人身安全以及器具使用和保养方面的信息。

开箱

- 如有明显的运输过程造成的损伤，请不要使用该器具。
- 如果电源线破损，则必须由生产商，服务代理或者合格的技术人员进行更换，防止伤害风险。
- 请确保孩童远离塑料包装。

给安装人员

- 此油烟机罩可以安装在燃气炉和电炉上方。从台面到烟机底部的最小的安装高度为 700mm (燃气灶) 和 550mm (电炉) (图. 1).
- 请把油烟机罩安装在灶的正上方。
- 请确保器具的安装地点有良好的通风。
- 连接电源时，请按照铭牌所示信息确认电源电压与频率。

给用户

- 烟机是适合国内使用的，用于消除厨房的异味。请不要把烟机使用于其他用途。
- 请不要让孩童玩弄或者操作器具。请监督年老体弱者的使用。
- 安装与维修只能让合格的技术人员进行。
- 对烟机任意的修改将导致危险。篡改电气连接配件或机器配件都会导致运行错误并会使使用人员陷入危险。
- 当烟机运行时请不要使用较高火焰的燃烧器。会点燃燃烧器上面的炊具。
- 请不要在烟机下方直接燃火或烤火。火焰会被吸进烟机，里面的油脂过滤器会着火。

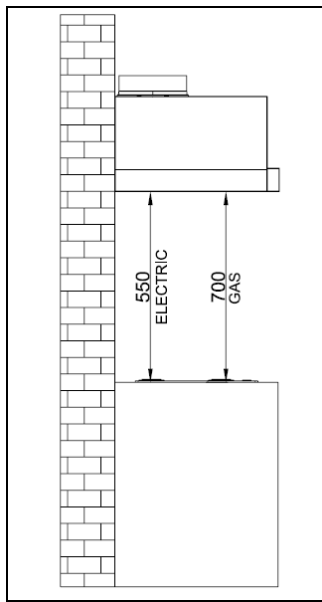


图. 1

- 电源连接必须符合当地标准。请在插入电源之前确认当地的电压是否正确。
- 请使用符合当地的接地连接器。此器具的电源连接必须接地 (合适的):
 - 绿色 & 黄色 = 接地; 蓝色 = 零线; 褐色 = 相线
- 管道模式:
 - 请使用管径最小为 125mm 的管来连接烟机与排气管。请尽量使用最短与最直的管道。
 - 请不要将火焰排进与烟机连接的排气管。
 - 如果烟机与其他非电器器具如燃气器具一起使用, 请务必做好适当的通风。厨房必须打开直接通往室外的窗门来换气。

注意: 生产商没有任何义务接受管道安装与设计的投诉。

- 请注意不断观察, 因为过热的热油会增加自燃的危险。
- 请不要操作没有油脂过滤器的器具。
- 定期清理与更换过滤器很重要, 因为油脂积聚会增加着火的危险。
- 请在取出清理或维修之前务必切断电源。
- 请确认电源线远离任何热源或尖锐的物体。
- 禁止使用多用插头与延长电线。有超负荷的危险, 会引发火灾。

处理

- 此器具与其包装都是环保及可循环再用的。
- 请帮助我们爱护环境, 用适当的方式处置包装以及旧的器具。
- 在处置旧器具前, 请切断电源以及移走电源线防止危险发生。

注意: 生产商不会对由于任何安装或者通过非正当的方式安装与运行产生的损坏负责。

规格

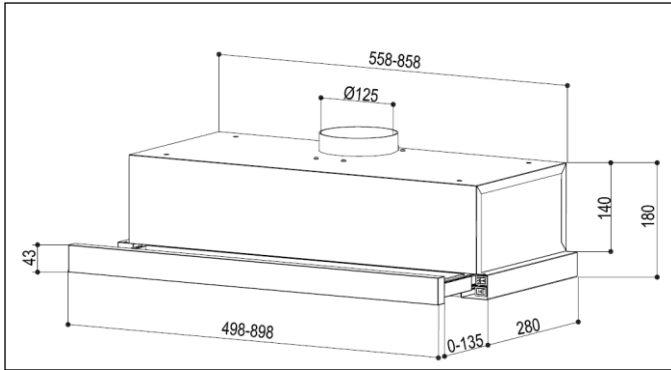


图.2

型号	RH-T306-SSV RH-T307-SSV RH-T309-SSV
电压	220V - 240V / 50Hz
马达功率	125W
灯功率	2 x 40W
电源线	1.5m
器具尺寸 (W x D x H):	
60cm model	600 x 280 x 180mm
70 cm model	700 x 280 x 180mm
90cm model	900 x 280 x 180mm
注意: 生产商拥有改造器具而不预先对消费者进行告知的权利。	

部件名称

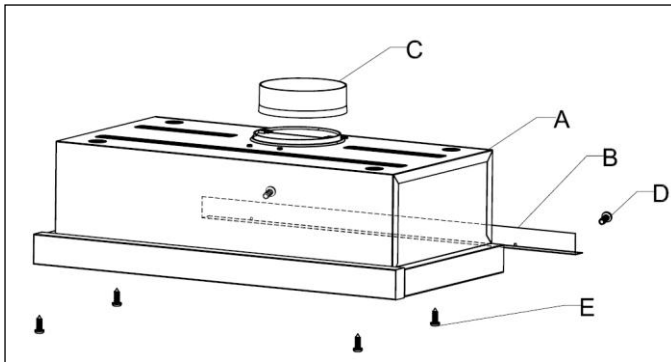


图.3

参照	数量	产品配件
		机体
A	1	(包括抽风机, 开关, 灯泡, 过滤器 & 滑动托架)
B	1	关闭元件
C	1	管道接头
		数量 安装配件
D	2	螺丝 ST4 x 8
E	4	螺丝 ST4 x 16 (60 & 70cm 版) 螺丝 M6 x 30 (90cm 版)
		数量 文件
	1	操作 / 安装说明手册

安装

该器具必须以管道模式或回流模式安装。

管道模式 (图. 4)

- 在管道模式中, 烟机的风扇会把煮食的油烟吸进管道并通过油脂过滤器排出屋外。
- 油脂过滤器吸收煮食过程中油烟的固体物质。因此在此模式中, **只安装油脂过滤器 (木炭过滤器是可选的)**。

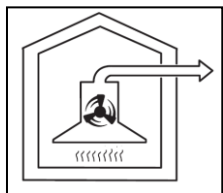


图. 4

回流模式 (图. 5)

- 在回流模式里, 烟机的风扇将吸走被油脂过滤器与木炭过滤器净化后的煮食气体。
- 净化后的气体之后通过烟机里的一个排气孔回流进厨房。
- 油脂过滤器吸收煮食气体的固体物质。
- 木炭过滤器是设计吸收煮食气味的。
- 在此模式里, 要安装油脂过滤器与木炭过滤器。

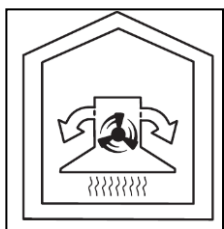


图. 5

安装进橱柜 (图. 6)

务必确保安装器具的墙面够坚固, 以承受器具的重量。

- 烟机的托架必须离橱柜底部 140mm 以上
- 管道模式, 在托架上钻一个 $\varnothing 135\text{mm}$ 的管孔。
- 从下面抬起烟机放进柜里。
保险使用提供的 4 个 ST4 x 16+ or M6 x 30[^] (注意: + for RH-T306-SS and RH-T307-SS; [^] for RH-T309-SS)

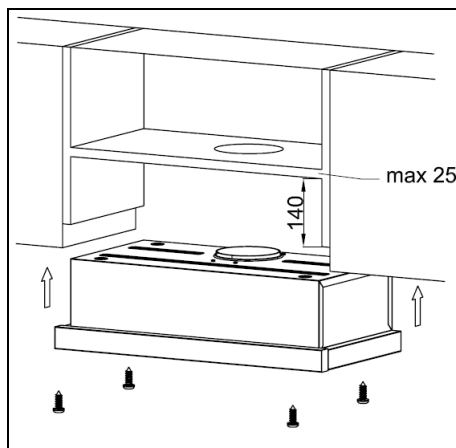


图. 6

关闭元件 (如需要) (图. 7)

- 用配套的 两个 ST4 X 8mm 螺丝固定关闭元件到烟机上面。

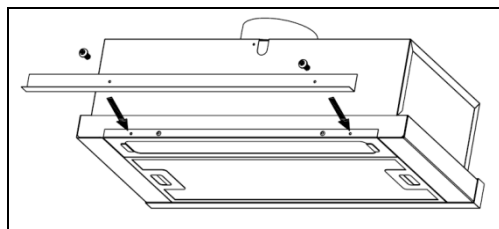


图. 7

连接 (图. 8) 务必确保安装器具的墙面够坚固, 以承受器具的重量。

- **管道模式:**
 - 使用 $\varnothing 125\text{mm}$ 的管(尽可能用柔韧的), 用管道固定环(未提供)固定管道。
 - 把管连接到室外管。
 - 把木炭过滤器移走, 只使用油脂过滤器, 使其吸力更强。
- **回流模式 版本:**
 - 插入木炭过滤器。

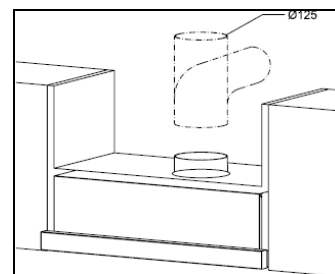


图. 8

注意: 生产商不会对由于任何安装或者通过非正当的方式安装与运行产生的损坏负责。

操作

为了达到更好的抽气效果，我们建议在煮饭前几分钟先启动抽风。而在煮饭后 15 分钟左右或者等油烟完全消失之后再关闭烟机。

速度调节 (图. 9)

- ① **LOW** : 风扇低速运行
- ② **OFF** : 风扇停止运行
- ③ **HIGH** : 风扇高速运行

*通过抽拉滑动托架开/关，可以控制马达开/关。马达的运行是通过抽拉滑动托架打开时最后选择的速度。

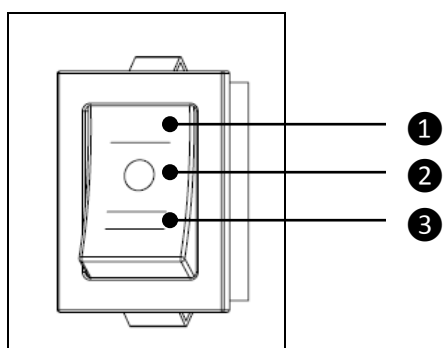
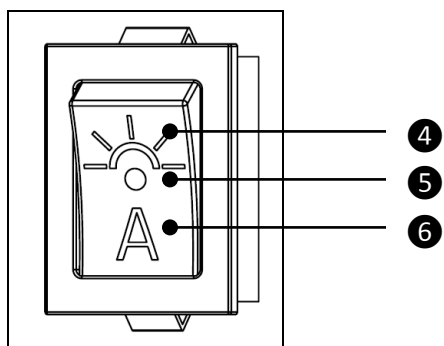


图. 11

灯 (图. 10)

- ④ **ON** : 灯光系统打开
- ⑤ **OFF** : 灯光系统关闭
- ⑥ **自动** : 当滑动托架开/关时，灯光系统自动开/关



请确保主电源在清洗或保养维修之前已经被切断。
定期对过滤器清洗或更换是很重要的，因为油脂积聚会增加着火的危险。
不要在没有油脂过滤器的情况下开动机器。

油脂过滤器 (图. 11)

- 油脂过滤器是用于吸收煮饭过程中发出的油脂的。此过滤器必须根据使用频率每 4 周清洗或者移出。过滤器可以用手或洗碗机清洗。注意：注意清洗时不要弯曲过滤网。
- 如果用手洗，用温水清洗液更容易洗掉油脂。再重新安装回去之前，要擦洗干净并晾干过滤器。
- 如果用洗碗机，选择一个适合的清洗程序。重新安装回去之前要晾干过滤器。
注意：过滤器会有轻微的掉色现象。
- 移出与插入油脂过滤器：
 - 移出，压下把手同时拉出。
 - 插入，把过滤器放入槽中。确保把手在外面可视。

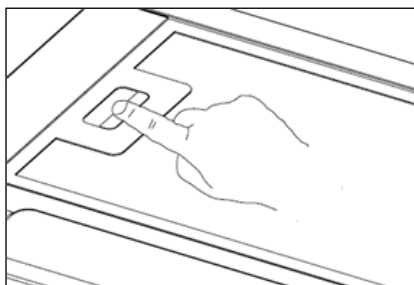


图. 10

过滤器 (适合的位置) (图. 12)

- 在看到脏污或者褪色的时候应该更换木炭过滤器，这通常在 6-12 个月之后，根据使用情况而定。
- 这些过滤器不能清洗也不能恢复。为了确保器具的功能正常，定期的保养是需要的，因为堵塞的过滤网会阻止空气流动并会引起马达过热。
- 移出和插入木炭过滤器：
 - 如图所示，从风机移出饱和木炭过滤器。
 - 装入新的木炭过滤器。

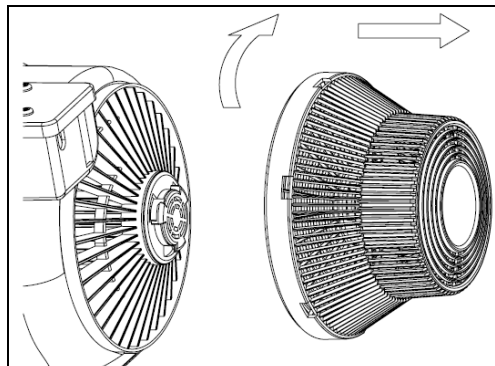



图. 12

清洗机体

- 清洗烟机要使用温水清洗液和软湿布。清洗之后，用无尘布来擦干。
- 避免使用腐蚀性或研磨性的产品，因为这样会容易刮花产品表面。

灯的更换 (图. 13)

-  更换灯泡时要注意更换的灯泡须与原灯泡的特性相同，因为如果规格不同会对电子元件造成损伤。
- 移走与更换灯泡：
 - 如图所示移出烧坏的灯泡。
 - 更换新的灯泡。

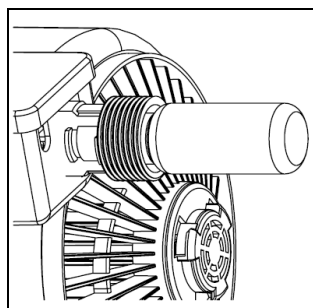


图. 13

注意: 强烈建议您阅读这些安全提示。制造商对任何由于不遵守上述安全建议而引致器具损伤或火灾都不需负任何责任。

常见故障的识别与处理

问题	可能导致问题的原因	解决方法
烟机不运作	没电	确认插头已经插上，电源已经开启。
风量小	油脂过滤器被油脂堵塞	清洗油脂过滤器，晾干后安装回去
	木炭过滤器被油脂堵塞	更换新的木炭过滤器
抽油烟率太低	通风不足	确保厨房通风情况良好以使新鲜空气能进入厨房内
	木炭过滤器没安装	安装木炭过滤器，以设置为回流模式
马达启动但是不能抽风	排风不好	请联系林内的售后服务中心
呼呼的声音	风扇页可能有外物碰触到	请联系林内的售后服务中心
灯不亮	灯泡损坏	更换掉烧坏的灯泡
	灯泡松了	拧紧灯泡

如果进行了以上的确认之后问题依然存在，请联系林内的售后服务中心请求帮助。

请找出产品的型号，型号在机体的铭牌上，如图所示。(图. 14).

如果需要保修服务，请提供购买产品的证明与有效的保修证。

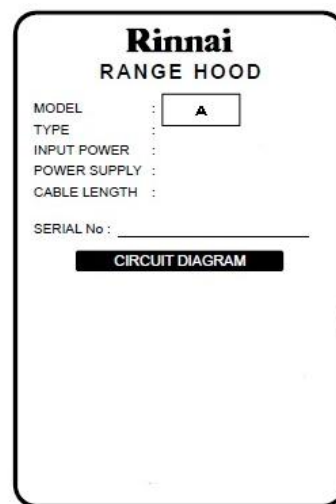


图.14 - 注意: 铭牌只起插图提示的作用，不同产品的铭牌不同。

DAFTAR ISI

Peringatan Keselamatan	15
Spesifikasi & Komponen.....	17
Pemasangan.....	18
Pengoperasian.....	19
Pemeliharaan & Perawatan.....	20
Pemecahan Masalah.....	21



PENTING

Untuk meregistrasi garansi produk Anda, silahkan menyalin nomer seri pada stiker yang ada pada kemasan kartu garansi Anda. Silahkan hubungi Pusat Layanan Perawatan Pelanggan Rinnai di kota Anda jika Anda memerlukan bantuan lebih lanjut.

PERINGATAN KESELAMATAN

Silahkan Anda membaca panduan manual ini sebelum Anda menggunakannya. Petunjuk manual ini berisi informasi yang penting yang berhubungan dengan keselamatan pribadi Anda dan juga cara penggunaan dan perawatannya.

Membuka Kemasan Pembungkus

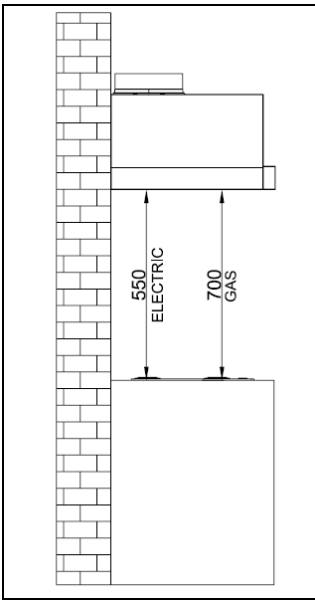
- Jangan gunakan alat ini jika terdapat tanda kerusakan saat transportasi.
- Jika kabel listrik rusak, harus diganti oleh pihak perusahaan atau pabrik, agen servis atau orang yang ahli untuk mengatasi kerusakan.
- Pastikan bahwa anak kecil tidak bermain dengan kemasan pembungkus ini.

Cara Pemasangan

- Tudung hisap bisa dipasang di atas kompor gas dan juga alat masak elektrik lainnya. Tinggi minimum pemasangan dari atas tungku ke bagian bawah tudung adalah 700mm (interval gas) dan 550mm (interval listrik). Gbr.1
- Selalu arahkan tudung hisap tepat di tengah kompor.

Untuk pengguna

- Tudung hisap didesain untuk mengurangi bau tidak sedap dari dapur. Jangan menggunakan tudung hisap untuk tujuan yang tidak semestinya.
- Jangan biarkan anak kecil mengoperasikan alat ini. Awasi oleh orang tua.
- Pemasangan dan perbaikan harus dilakukan oleh orang yang berpengalaman.
- Sangat berbahaya untuk memodifikasi bagian dari alat ini. Merusak sambungan listrik atau bagian mekanik bisa menyebabkan kesalahan penggunaan dan mungkin menyebabkan pengguna dalam bahaya.
- Jangan pernah biarkan api naik langsung di bawah tudung hisap. Selalu tutupi dengan peralatan masak.



Gbr. 1

- Pastikan bahwa alat Anda terpasang pada lokasi yang mempunyai ventilasi udara yang permanen.
- Saat membuat saluran listrik, periksa bahwa sumber arus utama dan frekuensi sama dengan yang ada di label keterangan.
- Penghubung listrik harus dibuat sesuai pada standar lokal. Pastikan bahwa tegangan di area Anda benar sebelum dinyalakan.
- Gunakan penghubung listrik yang sesuai dengan lokasi Anda. Penghubung listrik dari alat ini harus terhubung dengan tanah (yang berlaku):
 - Hijau dan kuning = Bumi, Biru = netral, Cokelat = Arus
- Untuk Cara Pipa Saluran:
 - Hubungkan tudung hisap pada saluran pipa dengan diameter minimum $\varnothing 125\text{mm}$. Cari rute terpendek dan terlurus yang paling mungkin.
 - Jangan hubungkan tudung hisap pada penghisap yang membawa asap pembakaran.
 - Atur ventilasi yang tepat jika tudung hisap digunakan dengan alat lain yang tidak didukung oleh tegangan listrik misalnya alat pembakaran gas. Dapur harus mempunyai ventilasi udara yang terhubung langsung keluar untuk memungkinkan adanya sirkulasi udara.

Catatan: Perusahaan tidak akan bertanggung jawab untuk keluhan yang menyangkut desain dan tata letak pipa.

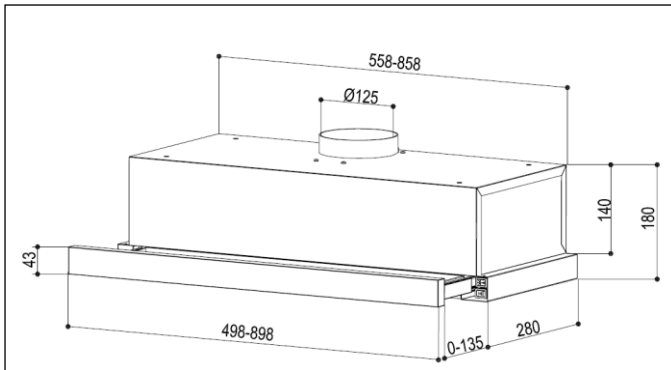
- Jangan memasak atau memanggang langsung di bawah tudung hisap. Api bisa menyebabkan tudung terbakar karena terhisap dan mungkin penyaring bisa terkena api.
- Selalu pantau saat memasak secara terus menerus karena jika terlalu panas bisa meningkatkan resiko kebakaran.
- Jangan mengoperasikan tudung hisap tanpa penyaring minyak.
- Sangat penting untuk membersihkan dan atau mengganti penyaring dengan interval waktu tertentu. Tumpukan endapan minyak bisa meningkatkan resiko kebakaran.
- Jangan pernah menyambungkan alat ini dengan sumber arus saat akan melakukan pembersihan atau perawatan tudung.
- Pastikan bahwa sumber arus bebas dari sumber panas lainnya atau benda tajam.
- Jangan gunakan steker ganda dan kabel yang terlalu panjang. Penggunaan yang terlalu berlebihan berbahaya dan bisa menyebabkan kerusakan.

Pembuangan

- Alat ini dan kemasannya sangat ramah lingkungan dan bisa didaur ulang.
- Tolong bantu kami untuk menjaga lingkungan dengan membuang pembungkus pada tempat yang sesuai dan mendaur ulang alat yang sudah lama.
- Sebelum membuang alat yang lama, matikan dari sumber arus dan pindahkan tegangan untuk menghindari kerusakan.

Catatan: Perusahaan tidak bertanggung jawab atas kerusakan akibat pemasangan yang tidak benar atau kegagalan untuk mengambil tindakan-tindakan keselamatan yang tepat selama pemasangan dan penggunaan operasional alat ini.

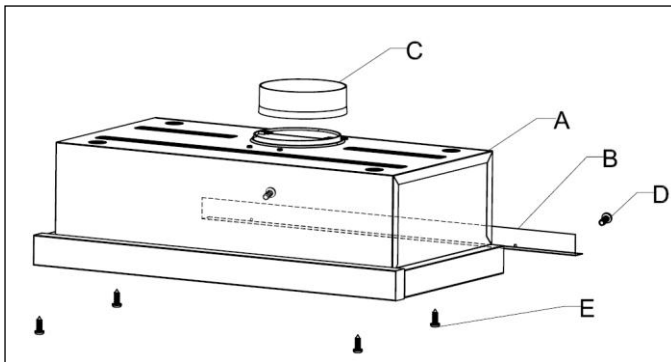
SPEKIFIKASI



Gbr. 2

Model	RH-T306-SSV RH-T307-SSV RH-T309-SSV
Tegangan	220V - 240V / 50Hz
Daya Motor	125W
Daya Lampu	2 x 40W
Panjang kabel	1.5m
Dimensi alat	(W x D x H):
60cm model	600 x 280 x 180mm
70 cm model	700 x 280 x 180mm
90cm model	900 x 280 x 180mm
<i>Catatan:</i> Perusahaan berhak untuk melakukan peningkatan dan memodifikasi alat ini tanpa ada pemberitahuan terlebih dahulu.	

KOMPONEN



Gbr. 3

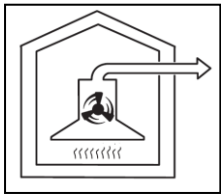
Ref	Jml	Komponen Produk
A	1	Badan Tudung (termasuk blower, tombol pengaturan, cahaya, penyaring dan panel geser)
B	1	Elemen Penutup
C	1	Saluran Penghubung
Jml	Komponen Instalasi	
2	Sekrup ST4 x 8	
4	Sekrup ST4 x 16 (lengkap dengan model 60 dan 70cm) Sekrup M6 x 30 (lengkap dengan model 90cm)	
Qty	Documentasi	
1	Buku Petunjuk Pemasangan	

PEMASANGAN

Alat ini bisa dipasang dengan cara pipa saluran atau resirkulasi.

Cara Pipa Saluran (Gbr. 4)

- Pada cara ini, kipas tudung hisap membersihkan uap masakan dan melewatinya melalui penyaring minyak. Udara kemudian mengalir keluar.
- Penyaring minyak menyerap partikel padat dalam uap masakan.
- Dalam cara ini, hanya penyaring minyak yang dipasang (**penyaring arang hanya tambahan**).



Gbr. 4

Cara Resirkulasi (Gbr. 5)

- Pada cara resirkulasi, kipas tudung hisap mengubah asap masakan, yang dimurnikan di dalam penyaring minyak dan penyaring arang.
- Udara bersih kemudian disirkulasikan lagi ke dapur melalui lubang angin yang terbuka di bagian atas tudung hisap. Penyaring minyak menyerap partikel padat dalam asap masakan.
- Penyaring arang didesain untuk menyerap bau tidak sedap. Pada cara ini, **baik penyaring minyak dan penyaring arang dipasang**.

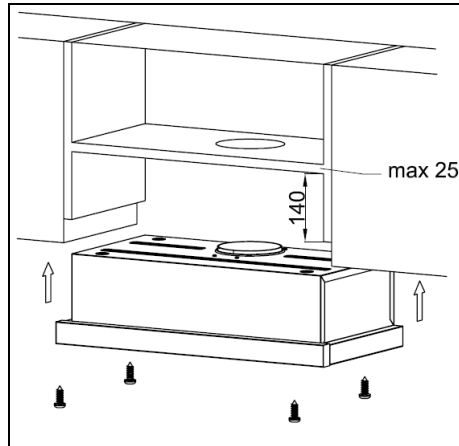


Gbr. 5

Memasang pada dinding kabinet (Gbr. 6)

Pastikan bahwa alat terpasang pada lapisan yang kuat yang bisa menahan berat alat tudung hisap ini.

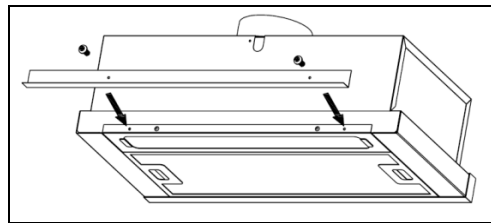
- Penyangga tudung hisap harus 140mm di atas bagian bawah dari dinding kabinet.
- Untuk versi pipa saluran, potong sebuah saluran yang minimal berdiameter 135mm pada penyangga tudung hisap.
- Angkat tudung ke dalam kabinet dari bawah. Kencangkan dengan menggunakan 4 sekrup ST4 x 16⁺ atau sekrup M6 x 30[^] yang sudah tersedia. (catatan: ⁺ untuk RH-T306-SS dan RH-T307-SS; [^] untuk RH-T309-SS)



Gbr. 6

Elemen penutup (jika perlu) (Gbr. 7)

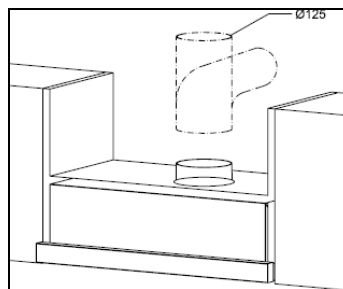
- Pasangkan elemen penutup pada tudung dengan menggunakan sekrup ST4 x 8mm yang tersedia.



Gbr. 7

Saluran (Gbr. 8)

- Untuk cara pipa saluran:
 - Gunakan pipa berdiameter 125mm (fleksible jika mungkin) dan sesuaikan pipa ini dengan ring penguat pipa (tidak tersedia) pada bagian pengecilan pemasangan.
 - Sambungkan pipa pada saluran luar.
 - Pindahkan penyaring arang dan hanya gunakan penyaring minyak untuk daya hisap yang lebih kuat.
- Untuk cara resirkulasi:
 - Masukkan penyaring arang.



Gbr. 8

Pemasangan harus dilakukan oleh teknisi ahli. Perusahaan tidak bertanggung jawab terhadap instalasi yang tidak tepat dan tidak bertanggung jawab atas garansi alat jika terjadi kerusakan yang diakibatkan oleh instalasi pemasangan yang salah.

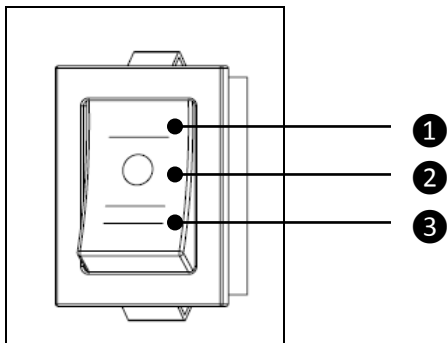
PENGUNAAN

Untuk mendapatkan udara yang lebih baik, kami menyarankan Anda untuk menyalakan blower beberapa menit sebelum mulai memasak. Diamkan menyala selama kurang lebih 15 menit setelah memasak atau sampai bau masakan benar-benar hilang.

Pengaturan Kecepatan (Gbr. 9)

- ① **LOW** : Tekan tombol pada kecepatan rendah.
- ② **OFF** : Tekan tombol off.
- ③ **HIGH** : Tekan tombol pada kecepatan tinggi.

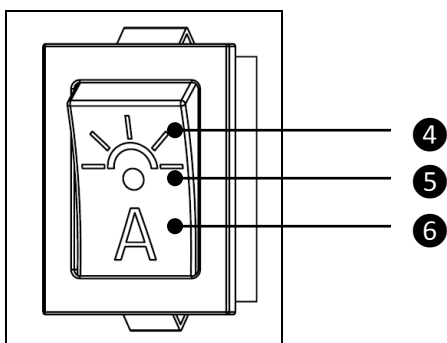
*Motor otomatis mengatur pada posisi on/off dengan membuka/menutup panel geser. Motor bekerja sesuai dengan kecepatan terakhir yang dipilih saat panel geser dibuka.



Gbr. 9

Lampu (Gbr.10)

- ④ **ON** : Nyalakan sistem lampu on.
- ⑤ **OFF** : Nyalakan sistem lampu off.
- ⑥ **AUTO** : Sistem lampu otomatis on/off saat panel geser dibuka/ditutup



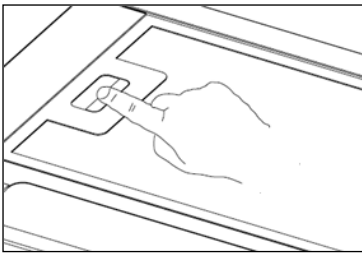
Gbr. 10

PEMELIHARAAN & PERAWATAN

Pastikan bahwa alat ini tidak terhubung dengan sumber arus sebelum melakukan kegiatan perbaikan atau perawatan. Sangat penting untuk membersihkan atau mengganti penyaring dengan rentang waktu tertentu karena endapan minyak dapat meningkatkan resiko kebakaran. Jangan mengoperasikan tudung hisap tanpa penyaring minyaknya.

Penyaring minyak (Gbr. 11)

- Penyaring minyak digunakan untuk menyerap minyak yang berbentuk partikel selama proses memasak. Penyaring ini harus dipindahkan dan dibersihkan setiap 4 minggu sekali, tergantung dari banyaknya penggunaan. Bersihkan penyaring dengan tangan atau dengan pencuci piring. Catatan: Hati hati selama mencuci jangan sampai membengkokkan penyaring.
- Jika dengan menggunakan tangan, rendam penyaring dalam larutan deterjen hangat untuk mempermudah pembuangan minyak. Sikat penyaring, bilas sampai bersih dan biarkan mengering sebelum dipasang kembali.
- Jika menggunakan cairan pencuci piring, pilih program pencucian yang sesuai. Biarkan mengering sebelum dipasang kembali. Catatan: pemudaran warna dapat sedikit terjadi.
- Pemindahan dan pemasangan penyaring minyak :
 - Untuk memindahkan, tekan pegangan dan tarik ke bawah pada waktu bersamaan.
 - Untuk memasang kembali, pasang penyaring pada posisi yang tepat. Pastikan pegangan terlihat dari luar.
 - terlihat dari luar.

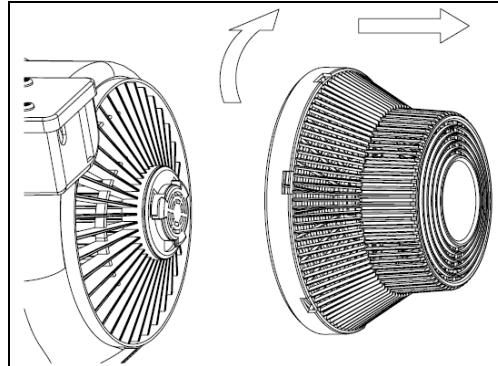


Gbr. 11

Penyaring arang (*Dimana dipasang*) (Gbr. 12)

- Penyaring arang harus diganti saat kelihatan kotor atau kusam, biasanya setelah 6 sampai 12 bulan tergantung kondisi penggunaan.
- Penyaring ini tidak bisa dicuci dan tidak bisa diperbaiki. Untuk memastikan alat ini berfungsi efektif, perawatan berkala sangat diperlukan misal tersumbatnya sirkulasi udara bisa menyebabkan motor terlalu panas

- Memindahkan dan memasang penyaring arang :
 - Lepas penyaring minyak
 - Lepas penyaring arang yang lama dari blower seperti yang terlihat.
 - Pasang penyaring arang yang baru.
 - Pasang kembali penyaring minyak



Gbr. 12

Membersihkan badan alat

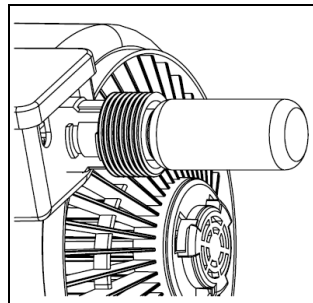
- Bersihkan tudung hisap menggunakan air deterjen yang hangat dan kain yang lembut. Lap sampai kering dengan kain yang kering.
- Hindari penggunaan produk korosif atau abrasif yang bisa menyebabkan kerusakan permukaan.

Penggantian lampu (Gbr. 13)



Ganti bola lampu dengan yang baru yang mempunyai tipe yang sama karena bola lampu yang mempunyai tegangan lebih tinggi bisa menyebabkan kerusakan unit.

- Mengganti dan memindahkan lampu :
 - Lepas lampu yang rusak seperti yang terlihat.
 - Ganti dengan rangkaian lampu yang baru.



Gbr. 13

Catatan: Anda sangat dianjurkan untuk mengikuti langkah-langkah keamanan ini. Perusahaan tidak akan bertanggung jawab atas kerusakan perangkat ataupun bahaya kebakaran yang terjadi karena kegagalan untuk lebih lanjutnya perhatikan saran keselamatan di atas.

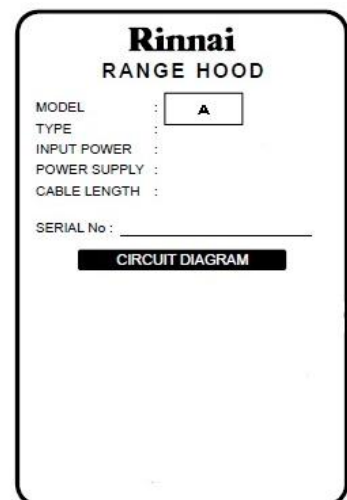
PEMECAHAN MASALAH

Masalah	Kemungkinan Penyebab	Cara mengatasinya
Tudung hisap tidak berfungsi	Tidak ada suplai arus masuk	cek konektor yang terhubung dan hidupkan tombol power utama
Kurang nya sirkulasi udara	Penyaring minyak tersumbat oleh endapan minyak	Bersihkan penyaring minyak dan pasang kembali saat sudah kering
	Penyaring arang tersumbat oleh endapan minyak	Ganti penyaring arang dengan peralatan yang baru
Tudung hisap tidak efektif	Ventilasi yang tidak memadai	Pastikan bahwa dapur memiliki ventilasi yang memadai untuk memungkinkan terjadinya sirkulasi udara segar.
	Penyaring arang tidak terpasang	Pasang penyaring arang untuk pengaturan pada cara resirkulasi.
Motor berjalan tapi tidak ada aliran udara	Kurangnya alat pembuangan udara.	Silahkan hubungi Pusat Layanan Perawatan Pelanggan Rinnai
Suara yang berisik	Benda asing mungkin masuk atau bersinggungan dengan kipas	Silahkan hubungi Pusat Layanan Perawatan Pelanggan Rinnai
Lampu tidak menyala	Lampu yang terbakar	Ganti lampu yang rusak
	Lampu yang longgar	Kencangkan lampunya

Jika masalah tetap ada setelah pengecekan di atas, silahkan hubungi Pusat Layanan Perawatan Pelanggan Rinnai untuk bantuan lebih lanjut.

Silahkan kutip nomer model dari peralatan Anda seperti yang tertera pada label yang melekat pada peralatan anda. (Gbr.14)

Untuk panggilan servis bergaransi, perlu diketahui bahwa Anda harus mempunyai bukti pembelian dan kartu garansi yang masih berlaku.



Gbr.14 – Label keterangan hanya untuk gambaran saja dan spesifikasinya sangat banyak teraantuna dari model.

NỘI DUNG CẦN BIẾT

Một Số Cảnh Báo An Toàn	22
Thông Số Kỹ Thuật - Chi Tiết	24
Lắp Đặt	25
Vận Hành Sản Phẩm	26
Vệ Sinh - Bảo Quản	27
Sự Cố - Cách Khắc Phục	28



LƯU Ý CẦN THIẾT

Để đăng ký bảo hành sản phẩm, hãy điền số seri sản phẩm vào phiếu bảo hành đính kèm sản phẩm. Vui lòng liên hệ Trung tâm DVCSKH Rinnai để được hỗ trợ thêm.

MỘT SỐ CẢNH BÁO - AN TOÀN

Vui lòng đọc kỹ hướng dẫn trước khi sử dụng sản phẩm. Nội dung sách hướng dẫn này bao gồm nhiều nội dung quan trọng liên quan đến sử dụng - bảo quản sản phẩm và an toàn cho người sử dụng.

Kiểm tra khi khai thùng

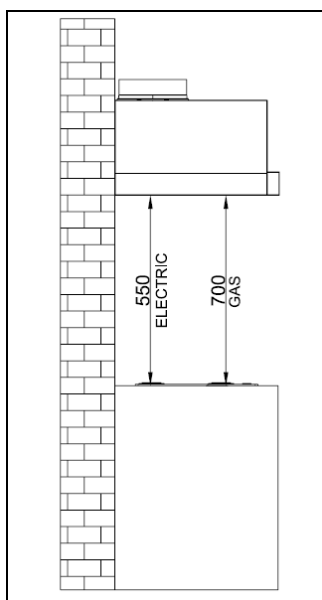
- Không sử dụng dây nguồn có dấu hiệu hư hỏng để tải điện.
- Nếu dây nguồn bị hỏng, nó phải được thay thế bởi Nhà sản xuất, trung tâm DVCSKH, trạm bảo hành được ủy quyền hoặc kỹ thuật viên đủ điều kiện để tránh nguy hiểm.
- Không để trẻ em đùa nghịch với bao bì hay túi nhựa của sản phẩm

Tiến trình lắp đặt

- Máy có thể được lắp bên trên máy bếp điện hoặc bếp gas. Khoảng cách từ mặt trên bếp đến mặt dưới của máy tối thiểu là 550mm (đối với bếp điện) và 700mm (đối với bếp gas). Hình 1.
- Máy phải lắp đúng tâm và cân bằng với bếp.
- Phải chắc rằng máy được lắp tại vị trí phù hợp với hệ thống thông gió của gian bếp.

Với người sử dụng

- Máy được thiết kế để hút khói mùi bên trong nhà bếp. Không sử dụng cho các mục đích khác.
- Không để trẻ em chơi hay vận hành máy, đồng thời giám sát việc sử dụng đối với người lớn tuổi, già yếu.
- Lắp đặt và sửa chữa máy chỉ nên được thực hiện bởi nhân viên đủ tiêu chuẩn kỹ thuật chuyên môn.
- Sẽ rất là nguy hiểm khi sửa chữa hay thay đổi bất kì chi tiết nào. Việc nhầm lẫn giữa các chi tiết kết nối điện hoặc liên quan đến các phần cứng có thể gây ra lỗi hoạt động và có thể gây nguy hiểm cho người dùng.
- Không để ngọn lửa cháy cao hay mặt phát nhiệt mà không có vật nấu bên trên.
- Nếu không có vật nấu hay sử dụng món nướng trực tiếp trên bề mặt bếp, nhiệt sẽ làm hư hại một số chi tiết máy hoặc nó sẽ bị hút vào khi máy đang hoạt động và làm cháy máy.



Hình. 1

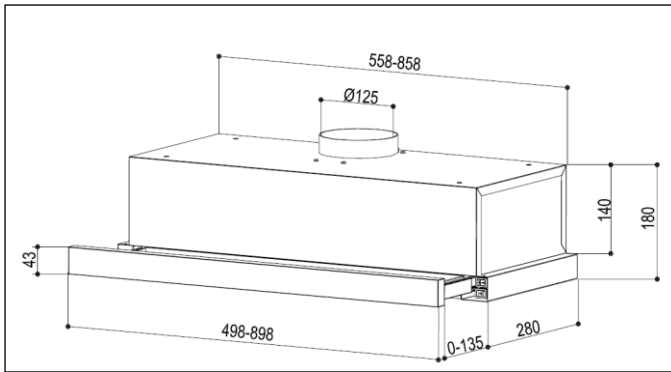
- Khi kết nối điện, kiểm tra xem điện thế và tần số có phù hợp với thông số được in trên tem sản phẩm hay không
- Kết nối điện phải được kiểm tra theo tiêu chuẩn qui định. Kiểm tra chính xác điện áp trong nhà trước khi cắm phích.
- Nên kết dây nối đất cho sản phẩm nếu có thể:
 - Xanh lá cây và vàng = Dây nối đất; Xanh dương = Dây trung tính; Nâu = Dây nóng.
- Phần kết nối ống thoát:
 - Kết nối đầu ra của máy (khớp nối) thông qua ống thoát có đường kính 125mm. Nên chọn hướng đi của ống sao cho thẳng và ngắn nhất nếu có thể.
 - Không để ống thoát cắt qua hệ thống ống dẫn khí đốt hay dùng chung ống thoát với các ống kỹ thuật khác.
 - Bố trí hệ thống thông gió thích hợp, chẳng hạn tại không gian bếp phải bố trí cửa hướng trực tiếp ra ngoài để tạo sự đối lưu không khí.

Lưu ý: Nhà sản xuất hay Nhà cung cấp sẽ không chịu trách nhiệm đối với khiếu nại liên quan đến việc bố trí hệ thống ống.

- Nhiệt quá nóng sẽ làm dầu mỡ bên trong học hứng dầu tự phát lửa.
- Không vận hành máy mà không có các học đựng dầu mỡ.
- Điều quan trọng là nên vệ sinh thường xuyên hoặc thay thế các chi tiết theo đúng định kỳ để giảm tối đa khả năng gây cháy nổ.
- Phải luôn ngắt kết nối điện trước khi tiến hành vệ sinh hay bảo trì máy.
- Đảm bảo có một nguồn điện dùng cho máy, không kết nối chung với các thiết bị khác để dễ ngắt kết nối khi cần thiết.
- Phích cắm hay dây nguồn phải đảm bảo tải, nếu quá tải sẽ gây nguy hiểm và hỏa hoạn
- **Xử lý**
- Sản phẩm và bao bì của sản phẩm không gây hại cho môi trường được sử dụng tái chế.
- Vui lòng giúp chúng tôi chăm sóc môi trường bằng cách xử lý đóng gói theo đúng cách và tái chế bất kì thiết bị cũ.
- Trước khi xử lý một thiết bị cũ, ngắt kết nối từ việc cung cấp điện và loại bỏ các dây điện để ngăn chặn mối nguy hiểm

Lưu ý: Nhà sản xuất hay Nhà cung cấp sẽ không chịu trách nhiệm đối với bất kỳ thiệt hại nào từ việc lắp đặt sản phẩm không đúng cũng như việc áp dụng các biện pháp an toàn không thích hợp trong việc lắp đặt và sử dụng.

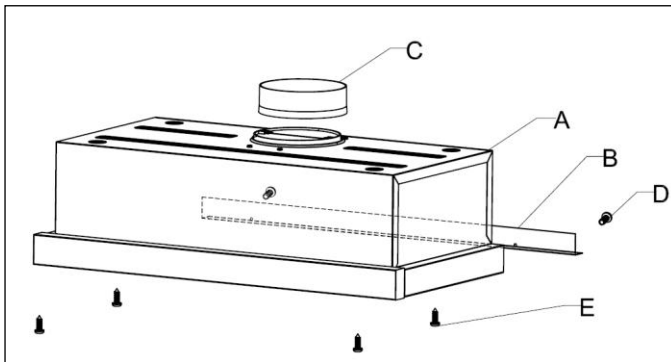
THÔNG SỐ KỸ THUẬT



Hình. 2

Model	RH-T306-SSV RH-T307-SSV RH-T309-SSV
Điện nguồn	220V - 240V / 50Hz
Công suất motor	125W
Công suất đèn	2 x 40W
Chiều dài cáp nguồn	1.5m
Kích thước	(W x D x H):
Nhóm 60cm	600 x 280 x 180mm
Nhóm 70 cm	700 x 280 x 180mm
Nhóm 90cm	900 x 280 x 180mm
<i>Lưu ý: Nhà sản xuất có quyền thực hiện bất kỳ công nghệ cải tiến hay sửa đổi mà không cần thông báo trước.</i>	

CHI TIẾT LINH KIỆN



Hình. 3

Chi tiết	SL	Linh kiện sản phẩm
A	1	Thân máy (bao gồm công tắc, motor - quạt, lưới lọc, máng trượt)
B	1	Thanh định vị máy
C	1	Khớp nối ống thoát
SL		Phụ trợ lắp đặt
D	2	Vít ST4 x 8
E	4	Vít M6 x 16 (nhóm 60-70cm) Vít M6x30 (nhóm 90cm)
SL		Tài liệu đính kèm
	1	Hướng dẫn lắp đặt/sử dụng

LẮP ĐẶT

Máy có thể được lắp đặt dùng cho chế độ ống thoát hoặc tự hủy

Chế độ ống thoát (Hình 4)

- Trong chế độ ống thoát, quạt hút sẽ chiết suất dầu mỡ và chuyển qua hộp hứng thông qua lưới lọc. Phần mùi, hơi nóng sẽ được đẩy ra ngoài.
- Lưới lọc sẽ hấp thụ các hạt tinh thể dầu. Khi dùng chế độ này, không gắn than hoạt tính vào vì nó sẽ làm giảm lực hút hơi nóng ra ngoài.



Hình. 4

Chế độ tự hủy (Hình 5)

- Trong chế độ tự hủy, quạt hút sẽ chiết suất dầu mỡ và chuyển qua hộp hứng thông qua lưới lọc.
- Không khí tinh khiết sau khi được lọc bởi than hoạt tính sẽ trở lại không gian bếp thông qua cửa thoát hơi. Lưới lọc sẽ hấp thụ các hạt tinh thể dầu.
- Than hoạt tính được thiết kế để hấp thụ (khử) mùi dầu mỡ. Khi dùng chế độ này, cả lưới lọc và than hoạt tính sẽ được gắn vào máy.

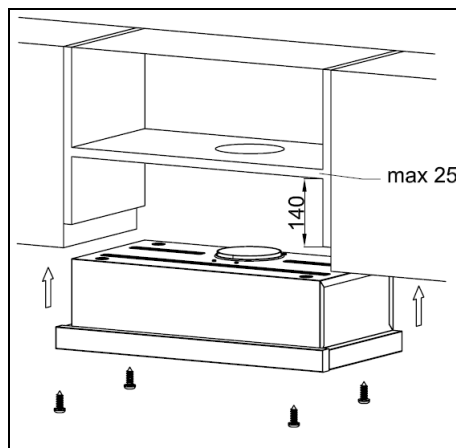


Hình. 5

Tường (vách) treo máy (Hình 6)

Phải đảm bảo rằng tường hay vách treo máy chịu được tải trọng của máy ngay cả khi vận hành.

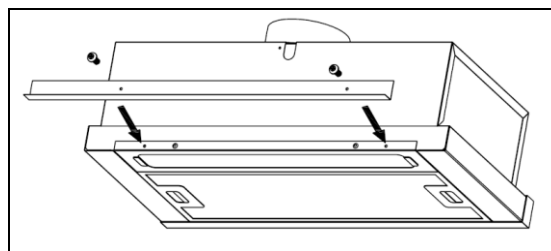
- Vị trí tấm đỡ (treo) máy phải nằm ở khoảng cách 140mm để có thể phủ kín phần thân máy.
- Với máy dùng chế độ ống thoát, khoét một lỗ có đường kính 135mm đối tâm với khớp nối của máy.
- Nâng máy theo chiều từ bên dưới lên và dùng 04 vít M6x16mm hoặc M6x30mm (được kèm theo) để giữ máy.



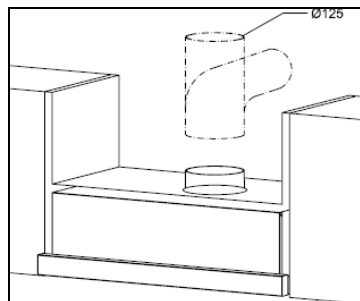
Hình. 6

Thanh định vị (cân bằng) (Hình 7)

- Nếu cần thiết, dùng thanh định vị gắn vào máy để tùy chỉnh cho máy cân bằng và đứng tâm.



Hình. 7



Hình. 8

Kết nối (Hình 8)

- Với chế độ ống thoát
 - Sử dụng ống có đường kính 125mm kết nối với khớp nối của máy, dùng co rút hay vít để định vị ống.
 - Kết nối đầu còn lại hướng ra ngoài trời.
 - Tháo than hoạt tính ra khỏi máy, chỉ để lại lưới lọc để tăng lực đẩy (hút) cho máy.
- Với chế độ tự hủy
 - Gắn than hoạt tính vào.

Việc lắp đặt phải được thực hiện bởi các người có chuyên môn. Nhà sản xuất sẽ từ chối bảo hành trong các trường hợp lắp đặt sai hoặc sử dụng sai mục đích thiết kế của sản phẩm.

VẬN HÀNH

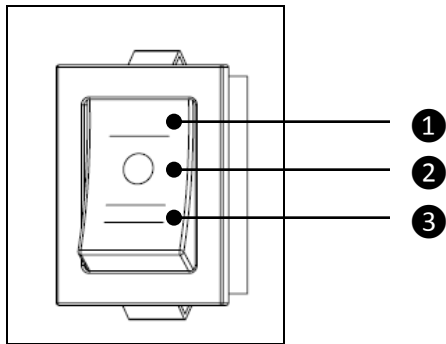
Để đạt được hiệu quả tốt

- Cho máy hoạt động trước khi bắt đầu nấu ăn.
- Sau khi nấu ăn xong, cho máy hoạt động thêm khoảng 15 phút để máy hút hết khói mùi còn đọng lại trong gian bếp và trong máy.

ĐIỀU CHỈNH CẤP ĐỘ QUẠT (Fig. 9)

- ❶ **LOW** : Cấp độ thấp
- ❷ **OFF** : Tắt
- ❸ **HIGH** : Cấp độ cao

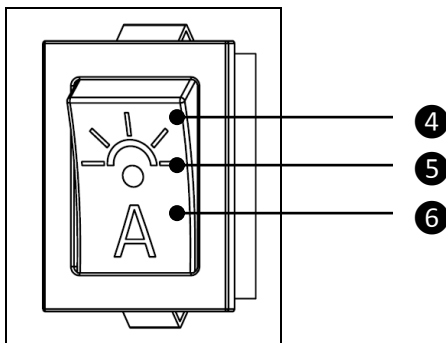
* Motor sẽ tự khởi động chạy khi kéo khung (máng) trượt ra và tự tắt khi đóng khung trượt lại. Tốc độ motor sẽ bắt đầu cao hay thấp khi kéo khung trượt tùy vào chọn tốc độ ban đầu.



Hình 9

ĐÈN CHIẾU SÁNG (Fig. 10)

- ❹ **ON** : Đèn sáng
- ❺ **OFF** : Đèn tắt
- ❻ **AUTO** : Chế độ tự động, tức là đèn sáng hay tắt (ON/OFF) khi kéo hay đóng máng trượt.



Hình 10

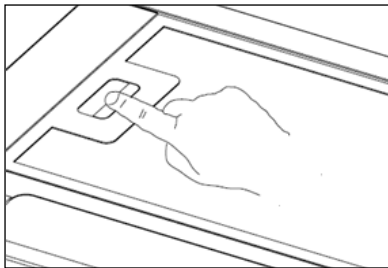
VỆ SINH - BẢO QUẢN

Chắc chắn rằng đã ngắt kết nối điện của máy với nguồn điện trước khi vệ sinh hay bảo dưỡng.

Điều quan trọng là làm sạch hoặc thay thế các bộ lọc (lưới lọc, hộp hứng dầu, than hoạt tính) trong thời gian nhất định và phù hợp để tránh nguy cơ cháy máy. Không vận hành máy mà không có các bộ lọc dầu mỡ.

Lưới lọc (Hình 11)

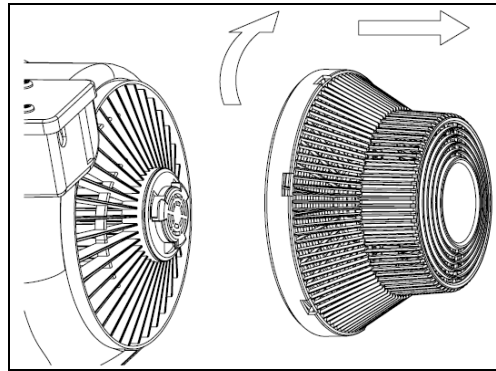
- Lưới lọc được sử dụng để hấp thụ dầu mỡ trong quá trình nấu ăn. Các lưới lọc phải được vệ sinh định kỳ sau 4 tuần và tùy theo mức độ sử dụng. Vệ sinh lưới lọc bằng tay hoặc bằng máy rửa chén. Lưu ý, phải cẩn thận để không làm biến dạng.
- Nếu rửa bằng tay, hãy ngâm lưới lọc trong nước ấm pha loãng dung dịch (để tan dầu mỡ). Dùng bàn chải mềm chà sạch rồi rửa lại bằng nước sạch sau đó để khô trước khi lắp trở lại.
- Nếu rửa bằng máy, hãy chọn chương trình rửa thích hợp rồi để khô trước khi lắp trở lại.
- Lưu ý: lưới lọc có thể đổi màu sau nhiều lần sử dụng—vệ sinh hoặc do dư dụng chất tẩy có nồng độ cao.
- Cách tháo lắp lưới lọc:
 - Để tháo lưới lọc, kéo nhẹ khóa trượt và hạ xuống từ từ .
 - Để lắp lưới lọc, đưa hai chốt của lưới vào rãnh định vị. Sau đó dùng tay kéo khóa trượt đồng thời nâng lên từ từ rồi bỏ tay ra.



Hình. 11

Than hoạt tính (Hình 11)

- Than hoạt tính nên thay sau khoảng từ 4 đến 6 tháng tùy mật độ sử dụng, lúc này than đã bão hòa nên mất tác dụng.
- Than hoạt tính không rửa được và có thể không phục hồi. Để chế độ này hoạt động hiệu quả cần thường xuyên vệ sinh bảo quản và thay than đúng định kì để tránh hiện tượng quá nhiệt làm nóng động cơ
- Cách tháo lắp lưới than:
 - Tháo bỏ lưới than theo hình minh họa
 - Thay bằng lưới than mới và gắn vào theo trình tự ngược lại.



Hình. 12

Vệ sinh thân máy

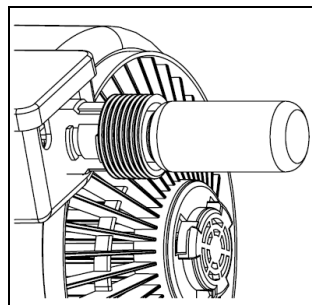
- Dùng vải mềm nhúng ẩm với nước ấm pha loãng dung dịch rửa chén. Sau đó lau lại với nước sạch và lau khô.
- Không sử dụng các vật cứng, dung dịch có nồng độ cao vì sẽ làm hư bề mặt lớp bảo vệ.

Thay thế đèn chiếu sáng (Hình 13)



Thay thế đèn không đúng điện áp không đúng tiêu chuẩn hoặc không tương thích sẽ làm hao tổn các linh kiện liên quan hoặc tổn thất đơn vị điện.

- Cách thay thế:
 - Tháo bỏ bóng đèn hỏng theo như hình minh họa
 - Thay bằng bóng đèn mới theo trình tự ngược lại



Hình. 13

Lưu ý: Nên làm theo các hướng dẫn an toàn, Nhà sản xuất hay Nhà cung cấp sẽ không chịu trách nhiệm về những tổn thất hay những tổn hại, nguy hiểm do không tuân thủ các khuyến cáo an toàn.

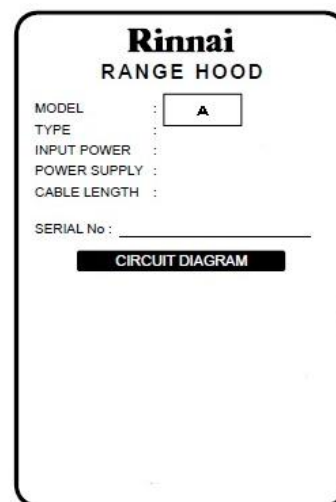
SỰ CỐ VÀ CÁCH KHẮC PHỤC

Sự cố	Nguyên nhân	Cách khắc phục
Quạt không hoạt động	Không có nguồn	Kiểm tra kết nối nguồn hoặc bo nguồn
Áp lực gió yếu	Lưới lọc bị đầy dầu mỡ	Vệ sinh lưới lọc
	Than hoạt tính đã bão hòa (no dầu)	Thay than hoạt tính mới
Hiệu quả hoạt động thấp	Thiếu thông gió	Đảm bảo gian bếp có gió ra vào
	Không lắp lưới than	Gắn lưới than vào nếu sử dụng chế độ tự hủy
Motor hoạt động nhưng không có gió	Cửa thoát bị tắt hoặc quá hẹp	Vui lòng liên hệ Trung tâm DVCSKH Rinnai hoặc trạm bảo hành được ủy quyền
Có âm thanh lạ bên trong máy	Có thể là do tác động từ bên ngoài lên cánh quạt	Vui lòng liên hệ Trung tâm DVCSKH Rinnai hoặc trạm bảo hành được ủy quyền
Đèn không sáng	Bóng đèn bị cháy	Thay thế bóng đèn bị hỏng
	Liên kết điện của bóng hoặc chân đèn không chặt	Gắn cho chặt

Nếu những trường hợp trên vẫn còn sau khi đã kiểm tra, hãy liên hệ với Trung tâm DVCSKH Rinnai hoặc trạm bảo hành được ủy quyền.

Vui lòng báo tên, số seri được in trên tem hàng hóa và dán theo sản phẩm (Hình 14).

Với sản phẩm còn nằm trong thời gian bảo hành, đó là những điều kiện quan trọng và cần thiết cùng với phiếu bảo hành đính kèm.



Hình 14. **Lưu ý:** tem hàng hóa là bao gồm việc thể hiện mục đích chỉ dẫn và thông số đặc thù liên quan đến các sản phẩm khác nhau.

สารบัญ

คำเตือนด้านความปลอดภัย-----	29
คุณสมบัติและส่วนประกอบของผลิตภัณฑ์-----	31
คำแนะนำการติดตั้ง-----	32
คำแนะนำการใช้งาน-----	33
การดูแลและบำรุงรักษาผลิตภัณฑ์-----	34
การแก้ปัญหาเบื้องต้น-----	35



ข้อสำคัญ

โปรดใส่หมายเลขเครื่อง (Serial Number) ที่ระบุไว้ข้างกล่องบรรจุภัณฑ์ลงในใบรับประกันสินค้าเพื่อทำการลงทะเบียนรับการประกันสินค้า

คำเตือนด้านความปลอดภัย

โปรดอ่านคู่มือการใช้งานอย่างละเอียดก่อนการใช้งานครั้งแรก คู่มือนี้มีสาระสำคัญเกี่ยวกับความปลอดภัยในการใช้งาน รวมทั้งการดูแลรักษาผลิตภัณฑ์

คำแนะนำก่อนการใช้งาน

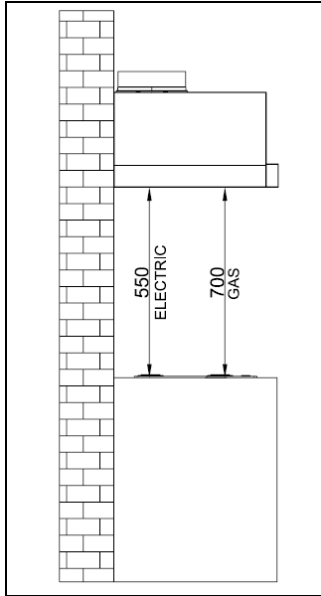
- อย่านำผลิตภัณฑ์นี้ไปใช้งาน หากมีการเสียหายอันเนื่องมาจากการจัดส่งอย่างเห็นได้ชัด
- หากสายไฟต่างๆได้รับความเสียหาย ผู้ผลิตต้องทดแทนให้ โดยให้ช่างผู้ชำนาญหรือผู้ให้บริการเป็นผู้ดำเนินการเปลี่ยนให้เพื่อหลีกเลี่ยงอันตราย
- ระวังอย่าให้เด็กเล็กๆนำพลาสติกที่ห่อบรรจุภัณฑ์ไปเล่น

คำแนะนำก่อนการติดตั้ง

- เครื่องดูดควันนี้สามารถติดตั้งได้ทั้งการใช้เตาแก๊สและเตาไฟฟ้า โดยให้มีระยะห่างจากเตาแก๊สอย่างน้อย 700 มม. และเตาไฟฟ้าอย่างน้อย 550 มม. (รูปที่ 1)

คำแนะนำก่อนการใช้งาน

- เครื่องดูดควัน ใ้ถูกออกแบบมาเพื่อใช้กำจัดกลิ่นอันไม่พึงประสงค์ในห้องครัว ดังนั้นไม่ควรใช้เครื่องดูดควันนอกเหนือจากคุณสมบัติที่ระบุไว้
- ไม่อนุญาตให้เด็กใช้งานหรือเล่นเครื่องดูดควัน และต้องกำกับดูแลหากใช้งาน โดยผู้สูงอายุหรือผู้ที่มีปัญหาสุขภาพ
- ในการติดตั้งหรือการซ่อมเครื่องดูดควัน ควรกระทำโดยช่างผู้ชำนาญเท่านั้น
- การตัดแปลงส่วนต่างๆของผลิตภัณฑ์เป็นเรื่องที่อันตราย การแก้ไขตัดแปลงส่วนที่เป็นการต่อไฟฟ้าหรือชิ้นส่วนต่างๆ อาจจะทำให้การทำงานผิดพลาดและทำให้ผู้ใช้งานมีความเสี่ยงอันตราย
- ขณะใช้งานเครื่องดูดควัน และมีการเปิดใช้เตาहुงต้ม จะต้องมีการหมั่นตรวจสอบว่าควันไฟจะระบายออกอย่างปลอดภัยหรือไม่
- อย่าทำการช่างหรือทำอาหารที่มีแอลกอฮอล์ผสม โดยปล่อยให้เปลวไฟกระทบที่ดูดควัน โดยตรง เพราะ เปลวไฟอาจถูกดูดเข้าไปโดนตะแกรงกรองไขมัน จะทำให้ตะแกรงไหม้ได้



รูปที่ 1

- ให้แขวนที่ดูดควันไว้ตรงจุดศูนย์กลางของเตาที่ใช้ปรุงอาหาร
- การติดตั้งเครื่องดูดควันนี้
ต้องติดตั้งในบริเวณที่มีอากาศถ่ายเทได้ดีตลอดเวลา
- ก่อนการต่อเครื่องดูดควันเข้ากับอุปกรณ์ไฟฟ้า
ให้ตรวจสอบค่าความถี่และแรงดันไฟฟ้าที่ใช้ในผลิตภัณฑ์ที่ได้รับอนุญาต
กับตัวเครื่องนี้
- ต้องใช้งานตามมาตรฐานที่การไฟฟ้าระบุไว้
ดังนั้นต้องตรวจสอบกำลังไฟฟ้าก่อนการใช้งาน
- เครื่องใช้ไฟฟ้านี้ต้องมีสายดิน (ที่ใช้งานได้)
*โดย สายเหลืองเขียว เป็นสายดิน สายสีน้ำเงินเป็นนิวตรอน
สายน้ำคาลคือสายไฟ*

คำแนะนำก่อนการติดตั้งแบบต่อท่อ :

- ต่อเครื่องดูดควันเข้ากับท่อระบายอากาศ
โดยให้ต่อผ่านท่อขนาดที่มีเส้นผ่าศูนย์กลางอย่างน้อย ๑125 มม.
และให้ต่อท่อเป็นแนวตรงและให้ความยาวท่อสั้นที่สุดเท่าที่จะเป็นไปได้
- อย่าต่อเครื่องดูดควันเข้ากับท่อระบายอากาศโดยตรง
เพราะจะทำให้เกิดควัน
- หากใช้เครื่องดูดควันนี้กับเครื่องครัวที่ไม่ใช่เครื่องใช้ไฟฟ้า
เช่นเครื่องครัวที่ใช้แก๊ส
จะต้องติดตั้งเครื่องดูดควันบริเวณที่มีการระบายอากาศที่เหมาะสม
คือห้องครัวต้องเปิดโล่งเพื่อให้อากาศบริสุทธิ์ข้างนอกเข้ามาได้
- **หมายเหตุ:**
ผู้ผลิตจะไม่รับผิดชอบต่อข้อร้องเรียนเกี่ยวกับการออกแบบและการ
วางผังงานต่อท่อ

- การปรุงอาหารอย่างต่อเนื่องด้วยน้ำมันที่มีความร้อนมากเกินไป
จะเพิ่มความเสี่ยงให้ไฟลุกไหม้
- อย่าใช้เครื่องดูดควันโดยไม่มีตะแกรงกรองไขมัน
- การทำความสะอาดหรือเปลี่ยนตะแกรงในเวลาที่เหมาะสมเป็นเรื่องที่สำคัญ
เพราะตะแกรงที่สะสมไขมันอาจมีความเสี่ยงให้ไฟไหม้
- ให้ปิดการทำงานและดึงปลั๊กไฟออกก่อนทุกครั้ง
ก่อนที่จะถอดทำความสะอาดหรือทำการซ่อมแซมเครื่องดูดควัน
- ระวังไม่ให้สายไฟอยู่ใกล้แหล่งความร้อนหรือของมีคม
- ต้องไม่ใช่ปลั๊กไฟและสายไฟร่วมกับเครื่องใช้อื่น
การใช้งานที่ฟุ้งกันมากเกินไปเป็นเรื่องอันตรายและอาจเป็นสาเหตุให้เกิดไฟ
ไหม้ได้
- การปรุงอาหารอย่างต่อเนื่องด้วยน้ำมัน ความร้อนสูงมากเกินไป
จะเพิ่มความเสี่ยงให้ไฟลุกไหม้
- อย่าใช้เครื่องดูดควันโดยไม่มีตะแกรงกรองไขมัน
- การทำความสะอาดหรือเปลี่ยนตะแกรงในเวลาที่เหมาะสมเป็นเรื่องที่สำคัญ
เพราะไขมันที่สะสมในตะแกรงอาจเสี่ยงให้เกิดไฟไหม้
- ก่อนถอดทำความสะอาดหรือทำการซ่อมแซมให้ปิดเครื่องดูดควันและดึงปลั๊ก
ไฟออกก่อนทุกครั้ง
- ระวังไม่ให้สายไฟอยู่ใกล้แหล่งความร้อนหรือของมีคม
- ต้องไม่ใช่ปลั๊กไฟและสายไฟร่วมกับเครื่องใช้อื่น
การใช้งานที่ฟุ้งกันมากเกินไปเป็นเรื่องอันตรายและอาจเป็นสาเหตุให้เกิดไฟ
ไหม้ได้

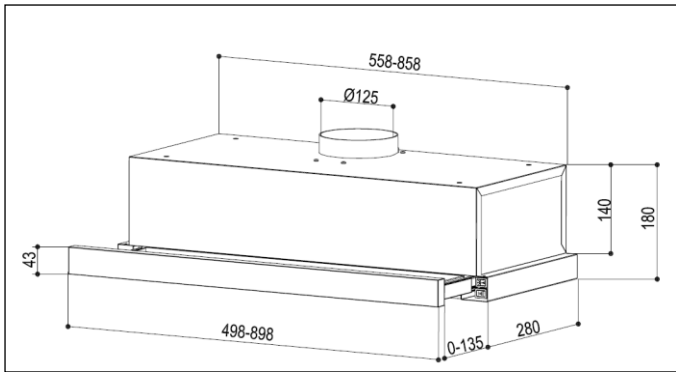
คำแนะนำในการกำจัดผลิตภัณฑ์

- ผลิตภัณฑ์และบรรจุภัณฑ์นี้เป็นมิตรกับสิ่งแวดล้อม
และสามารถนำกลับมาใช้ใหม่ได้
- โปรดช่วยเรารักษาสีสิ่งแวดล้อมด้วยการกำจัดกล่องบรรจุภัณฑ์ด้วยวิธีที่เหมาะสม
รวมทั้งการนำเครื่องใช้เก่ามาใช้ใหม่
- ก่อนการกำจัด(ทิ้ง)เครื่องใช้เก่า ให้ถอดปลั๊กและสายไฟออกจากตัวเครื่องก่อน
เพื่อป้องกันอันตรายที่อาจเกิดขึ้น

หมายเหตุ:

ผู้ผลิตไม่รับผิดชอบต่อความเสียหายใดๆที่เกิดจากการติดตั้งที่ไม่เหมาะสมและ
หรือจากการติดตั้งและการใช้งานที่ไม่เป็นไปตามคู่มือการใช้งาน

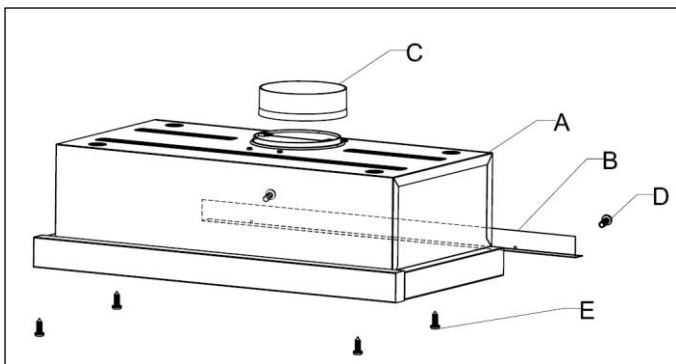
คุณสมบัติผลิตภัณฑ์



รูปที่ 2

รุ่น	RH-T306-SSV RH-T307-SSV RH-T309-SSV
แรงดันไฟฟ้า	220V - 240V / 50Hz
กำลังมอเตอร์	125W
กำลังไฟฟ้าแสงสว่าง	2 x 40W
ความยาวสายไฟ	1.5m
ขนาดผลิตภัณฑ์ (ก x ล x ส):	
ขนาด 60 ซม.	600 x 280 x 180mm
ขนาด 70 ซม.	700 x 280 x 180mm
ขนาด 90 ซม.	900 x 280 x 180mm
หมายเหตุ:	ผู้ผลิตขอสงวนสิทธิ์ในการพัฒนาเทคโนโลยีโดยไม่ต้องแจ้งให้ทราบล่วงหน้า

ส่วนประกอบผลิตภัณฑ์



รูปที่ 3

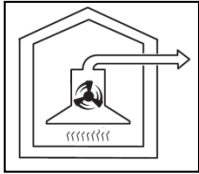
อ้างอิง	จำนวน	ส่วนประกอบผลิตภัณฑ์
A	1	ตัวเครื่องดูดควัน (ตัวพัดลม, สวิตช์ควบคุม, หลอดไฟ, ตะแกรง และตัวเลื่อน)
B	1	ที่ครอบปิดเครื่องดูดควัน
C	1	ตัวต่อท่อ
	จำนวน	อุปกรณ์สำหรับการติดตั้ง
D	2	สกรู ST4 x 8
E	4	สกรู ST4 x 16 (รุ่น 60 ซม. และ 70 ซม.) สกรู M6 x 30 (รุ่น 90 ซม.)
	จำนวน	เอกสาร
	1	คู่มือการติดตั้งและคู่มือการใช้งาน

คำแนะนำสำหรับการติดตั้ง

เครื่องดูดควันนี้สามารถติดตั้งได้ทั้งแบบต่อท่อและแบบหมุนเวียน

การติดตั้งแบบต่อท่อ (รูปที่ 4)

- ในการติดตั้งแบบต่อท่อนั้น พัดลมดูดควันจะดูดไอระเหยที่เกิดจากการปรุงอาหารส่งผ่านไปซึ่งตะแกรงกรองไขมันเพื่อสกัดอากาศเสีย และระบายอากาศออกไปด้านนอก
- ตะแกรงกรองไขมันทำหน้าที่ดูดซับไอระเหยของน้ำมันหรือเขม่าที่เกิดจากการปรุงอาหาร
- การติดตั้งแบบนี้ให้คิดเฉพาะตะแกรงกรองไขมันเท่านั้น



รูปที่ 4

การติดตั้งแบบหมุนเวียน (รูปที่ 5)

- สำหรับการติดตั้งแบบหมุนเวียน ตัวพัดลมดูดควันจะดูดกลิ่นที่เกิดจากการปรุงอาหารและกรองสิ่งสกปรกด้วยตะแกรงกรองไขมันและตะแกรงคาร์บอน การใช้เครื่องดูดควันขณะทำอาหารทำให้ห้องครัวมีอากาศบริสุทธิ์
- อากาศที่ถูกฟอกแล้วก็จะหมุนเวียนกลับเข้าไปในห้องครัวผ่านช่องระบายในปล่องดูดควัน
- ตะแกรงกรองไขมัน จะดูดซับสิ่งสกปรกหรือไอระเหยที่เกิดจากการปรุงอาหาร
- ตะแกรงคาร์บอนถูกออกแบบมาเพื่อดูดซับกลิ่นที่เกิดจากการปรุงอาหาร
- การติดตั้งแบบนี้ ต้องติดตั้งตะแกรงกรองไขมันและตะแกรงคาร์บอน

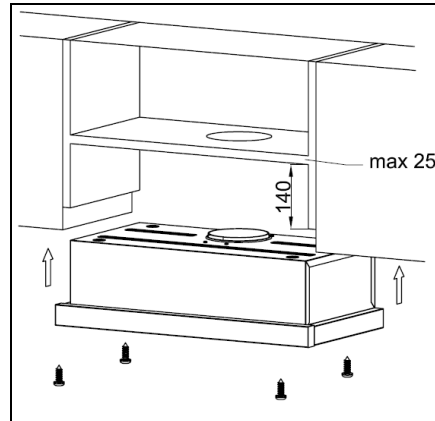


รูปที่ 5

การติดตั้งกับผนังตู้ (รูปที่ 6)

มั่นใจว่าได้ติดตั้งเครื่องดูดควันบนผนังที่สามารถรับน้ำหนักเครื่องดูดควันได้

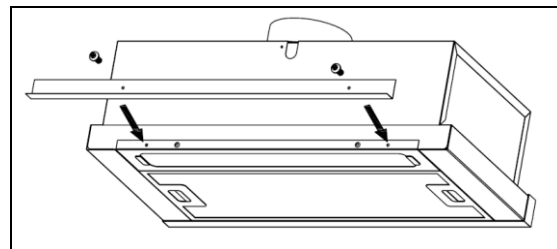
- ตัวรองรับหรือตัวยึดเครื่องดูดควันต้องอยู่ห่างจากตัวเครื่องขึ้นไป 140 มม. ดังในรูปภาพ
- สำหรับแบบต่อท่อ ให้ตัดที่ซิดปล่องหรือท่อเป็นวงกลมขนาดเส้นผ่าศูนย์กลาง $\varnothing 135$ มม. ดังในรูปภาพ
- ขกเครื่องดูดควันได้เข้าทางด้านล่างของตู้ แล้วยึดติดให้แน่นด้วยสกรูขนาด ST4 x 16+ หรือ M6 x 30 (หมายเหตุ: สำหรับรุ่น RH-T306-SS และ RH-T307-SS; สำหรับ RH-T309-SS)



รูปที่ 6

การประกอบปิด (หากจำเป็น) (รูปที่ 7)

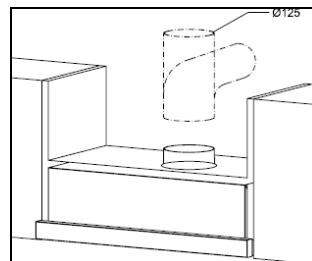
- ประกอบที่ครอบปิดเครื่องดูดควันด้วยสกรู ST4 X 8 มม. จำนวน 2 ตัวที่ให้มา



รูปที่ 7

การต่อท่อดูด (รูปที่ 8)

- การติดตั้งแบบต่อท่อ
 - ใช้ท่อขนาดเส้นผ่าศูนย์กลาง 125 มม. (หากเป็นไปได้ให้ใช้ท่อแบบยืดหยุ่น) และขันให้แน่นด้วยแหวนสำหรับขันท่อ (ไม่มีมากับตัวเครื่อง)
 - ต่อท่อดูดเข้ากับท่อด้านนอก
 - ถอดตะแกรงคาร์บอนออก ใช้เฉพาะตะแกรงกรองไขมันเท่านั้น เพื่อเพิ่มประสิทธิภาพในการดูดควัน
- การติดตั้งแบบหมุนเวียน
 - ต้องติดตะแกรงคาร์บอน



รูปที่ 8

การติดตั้งจะต้องดำเนินการ โดยบุคลากรที่มีคุณภาพหรือช่างผู้ชำนาญเท่านั้น และจะไม่รับผิดชอบตามใบรับประกันสินค้ากรณีที่มีความเสียหายนั้นเกิดจากการติดตั้งที่ไม่ถูกต้อง

ผู้ผลิตขอปฏิเสธความรับผิดชอบทุกกรณีหากการติดตั้งไม่ถูกต้องตามคำแนะนำ

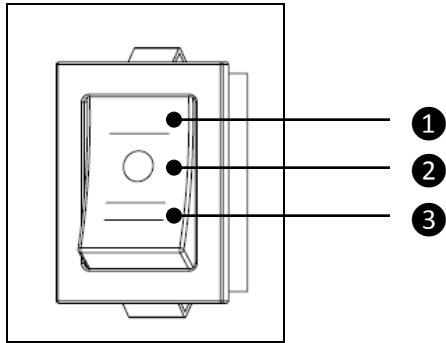
คำแนะนำการใช้งาน

เพื่อให้การระบายอากาศมีประสิทธิภาพดี แนะนำให้เปิดพัดลมดูดทิ้งไว้ก่อนทำการประกอบอาหารประมาณ 15 นาที และหรือจนกว่ากลิ่นจากการปรุงอาหารหมดไปหลังการปรุงอาหารเสร็จ

การตั้งค่าความเร็วพัดลมดูด (รูปที่ 9)

- ❶ LOW : กดปุ่ม ❶ เพื่อให้พัดลมดูดหมุนช้าลง
- ❷ OFF : กดปุ่ม ❷ เพื่อปิดพัดลม
- ❸ HIGH : กดปุ่ม ❸ เพื่อให้พัดลมดูดหมุนเร็วขึ้น

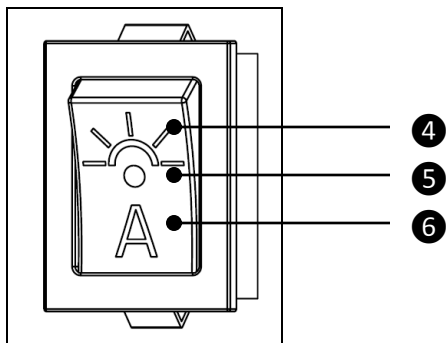
*ตัวปรับมอเตอร์จะทำงานอัตโนมัติเมื่อมีการเลื่อนเพื่อเปิด/ปิดที่ดูดควัน เมื่อมีการใช้งานคราวต่อไปค่าความเร็วพัดลมดูดจะเท่ากับความเร็วที่ใช้งานครั้งล่าสุด



รูปที่ 9

ไฟแสงสว่าง (รูปที่ 10)

- ❹ ON : กดสวิตช์ ❹ เพื่อเปิดไฟแสงสว่าง
- ❺ OFF : กดสวิตช์ ❺ เพื่อปิดไฟ
- ❻ AUTO : กดสวิตช์ ❻ เพื่อตั้งค่าเปิด - ปิดไฟแสงสว่างอัตโนมัติ เมื่อเลื่อนที่ดูดควันออกไฟแสงสว่างจะเปิดอัตโนมัติและจะปิดเมื่อเลื่อนปิด



รูปที่ 10

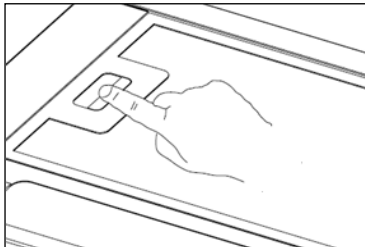
การดูแลและบำรุงรักษา

ก่อนทำความสะอาดหรือการบำรุงรักษาผลิตภัณฑ์ ให้ดึงปลั๊กไฟออกก่อนทุกครั้ง

การทำความสะอาดหรือการเปลี่ยนตะแกรงในระยะเวลาที่เหมาะสมเป็นเรื่องสำคัญ เพราะการพอกพูนของไขมันทำให้เสี่ยงต่อการเกิดไฟไหม้ และอย่าใช้เครื่องดูดควัน โดยที่ไม่มีตะแกรงกรองไขมัน

การทำความสะอาดตะแกรงกรองไขมัน (รูปที่ 11)

- ตะแกรงกรองไขมัน ใช้ในการดูดซับไขมันที่เกิดจากการปรุงอาหาร ต้องถอดตะแกรงออกมาทำความสะอาดเดือนละครั้ง ทั้งนี้ขึ้นอยู่กับความถี่ในการใช้งาน สามารถทำความสะอาดด้วยมือหรือเครื่องล้างจาน
หมายเหตุ: ระวังไม่ให้ตะแกรงหักงอขณะทำความสะอาด
- หากทำความสะอาดด้วยมือ ให้ล้างด้วยน้ำยาทำความสะอาดผสมน้ำอุ่นจะช่วยให้ล้างไขมันออกได้ง่าย ใช้แปรงขัด ล้างน้ำสะอาดแล้วทิ้งไว้ให้แห้งก่อนนำไปใช้งาน
- หากทำความสะอาดด้วยเครื่องล้างจาน ให้เลือกโปรแกรมการล้างที่เหมาะสม ทิ้งไว้ให้แห้งก่อนนำไปใช้งาน
หมายเหตุ: อาจทำให้สีของตะแกรงจางลง
- การถอดและการใส่ตะแกรงกรองไขมัน
 - ทำการถอดตะแกรงโดยกดที่จับแล้วดึงลงในเวลาเดียวกัน
 - ใส่ตะแกรงโดยให้สอดตะแกรงเข้าไปในตำแหน่งเดิม และให้มองเห็นที่จับได้จากด้านนอก



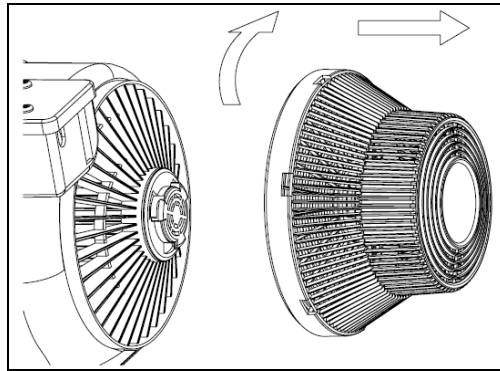
รูปที่ 11

การเปลี่ยนตะแกรงคาร์บอน (รูปที่ 12)

- ควรเปลี่ยนตะแกรงคาร์บอนเมื่อเห็นว่าสกปรกหรือเปลี่ยนสีอย่างเห็นได้ชัด ปกติแล้วควรเปลี่ยนหลังจากการใช้งานแล้ว 6-12 เดือน ขึ้นอยู่กับเงื่อนไขหรือความถี่ในการใช้งาน
- ตัวกรองนี้ไม่สามารถนำมาซักล้างหรือนำมาใช้ได้อีก เพื่อให้แน่ใจว่าตะแกรงทำงานได้อย่างมีประสิทธิภาพการดูแลรักษาจึงเป็นเรื่องจำเป็น หากตัวกรองอุดตันทำให้อากาศถ่ายเทไม่สะดวกอาจทำให้เกิดความร้อนมากเกินไป

การถอดและประกอบตะแกรงคาร์บอน

- ถอดตะแกรงกรองไขมัน
- ถอดตะแกรงคาร์บอนที่มีไขมันอิ่มตัวแล้วออกจากพัดลม ดังในรูปภาพ
- ใส่ตะแกรงคาร์บอนอันใหม่
- ใส่ตะแกรงกรองไขมันเข้าที่เดิม



รูปที่ 12

การทำความสะอาดตัวเครื่องดูดควัน

- ทำความสะอาดด้วยน้ำยาทำความสะอาดผสมในน้ำอุ่นและใช้ผ้านุ่มชุบน้ำบิดให้พอหมาดเช็ดทำความสะอาด หลังจากนั้น ใช้ผ้าฝ้ายเช็ดให้แห้ง
- หลีกเลี่ยงการใช้ผลิตภัณฑ์ที่มีฤทธิ์เป็นกรดหรือสารกัดกร่อนที่อาจทำให้เกิดความเสียหาย

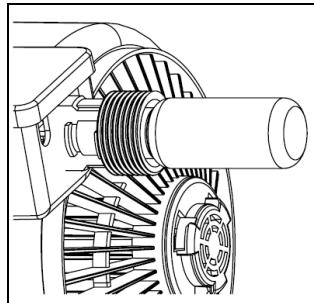
การเปลี่ยนหลอดไฟแสงสว่าง (รูปที่ 13)



ให้ใช้หลอดไฟที่มีคุณสมบัติเหมือนกับที่ติดมากับผลิตภัณฑ์ เพื่อให้ไม่ทำให้ระบบไฟฟ้าเสียหาย

• วิธีการถอดและใส่หลอดไฟ (รูปที่ 13)

- ถอดหลอดไฟที่ใช้งานไม่ได้ออก ดังในรูปภาพ
- ใส่หลอดไฟอันใหม่เข้าไป ดังรูปภาพ



รูปที่ 13

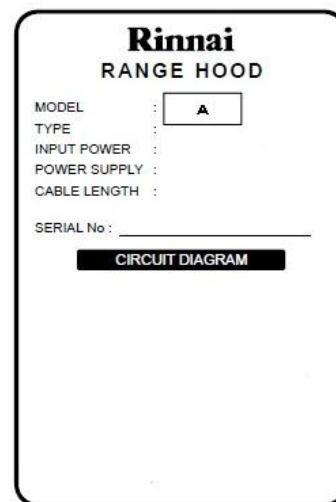
หมายเหตุ: คุณต้องปฏิบัติตามคำแนะนำด้านความปลอดภัยอย่างเคร่งครัด ผู้ผลิตจะไม่รับผิดชอบต่อความเสียหายหรือไฟไหม้อันเนื่องมาจากการใช้งานที่ไม่ใส่ใจต่อคำแนะนำด้านความปลอดภัยข้างต้น

การแก้ปัญหาเบื้องต้น

ปัญหา	สาเหตุ	การแก้ปัญหาเบื้องต้น
เครื่องดูดควันไม่ทำงาน	ไฟฟ้าดับหรือขัดข้อง	ตรวจสอบว่าได้เสียบปลั๊กไฟหรือได้เปิดการใช้งานหรือไม่
การไหลเวียนอากาศไม่ดี	ตะแกรงกรองไขมันอุดตัน	ทำความสะอาดตะแกรงกรองไขมันและประกอบเข้าไปใหม่หลังจากแห้งแล้ว
	ตะแกรงคาร์บอนอุดตัน	เปลี่ยนตะแกรงคาร์บอนอันใหม่
การดูดควัน ไม่มีประสิทธิภาพ	การระบายอากาศไม่เพียงพอ	ห้องครัวต้องมีการระบายอากาศที่ดีพอ โดยให้อากาศบริสุทธิ์ถ่ายเทได้
	ไม่ได้ติดตั้งตะแกรงคาร์บอน	ติดตั้งตะแกรงคาร์บอนเพื่อตั้งค่าการใช้งานแบบหมุนเวียน
เครื่องทำงานแต่ไม่มีอากาศไหลเวียน	การดูดอากาศไม่ดี	โปรดติดต่อศูนย์บริการลูกค้า
มีเสียงดังในตัวเครื่อง	อาจมีสิ่งแปลกปลอมเข้าไปติดในใบพัด	โปรดติดต่อศูนย์บริการลูกค้า
ไม่มีไฟแสงสว่าง	หลอดไฟเสีย	เปลี่ยนหลอดไฟ
	หลอดไฟหลวม	หมุนหลอดไฟให้แน่น

หากยังมีปัญหาในการใช้งานหลังจากได้ทำการแก้ปัญหาเบื้องต้น ให้ติดต่อศูนย์บริการลูกค้าเพื่อให้คำแนะนำหรือทำการช่วยเหลือ กรุณาระบุหมายเลขรุ่นของผลิตภัณฑ์ที่ได้แสดงไว้บนตัวเครื่อง (รูปที่ 14)

สำหรับการให้บริการภายใต้เงื่อนไขการรับประกันนั้น ต้องเป็นไปตามข้อมูลการซื้อและระยะเวลาในการเอาประกันตามที่ระบุไว้ในรับประกันสินค้า



รูปที่ 14 -
ฉลากนี้มีวัตถุประสงค์เพื่อใช้สำหรับ
อธิบายเท่านั้น
เพราะข้อมูลจำเพาะของแต่ละรุ่นจะแตกต่างกัน

Rinnai Customer Care Centres

China | 中国

Guangzhou Rinnai Gas & Electric
Room 2805, No.31 Jianghe Building,
Tianshou Road, Guangzhou, China
广州林内燃具电器有限公司
中国广州天河区天寿路 31 号江河大厦 2805 室
Tel 电话 : (86) 20 3821 7976
Email 邮箱 : grrjdg@gzrinnai.com.cn
URL 网址 : www.gzrinnai.com.cn

Indonesia

Customer Care of PT. Rinnai Indonesia
Jl. Raya Perjuangan No.21,
Komp. Ruko Sastra Graha No.11 -13
Jakarta 11530
Tel : (62) 0800 1 889 889 (toll free) /
0815 112 99999 (SMS Center)
Email : customercare_bit@yahoo.com
URL : www.rinnai.co.id

Macau | 澳門

Fu Lei (Leong Si) Trading Limited
Avenida do Almirante Lacerda No. 14-14C,
Edf. Industrial Iao Son 11-And-A, Macau
富利 (梁氏) 貿易有限公司
澳門提督馬路 14-14C, 祐順工業大廈 11 樓 A
Tel 电话 : (853) 2822 0889
Fax 传真 : (853) 2822 2733
URL 网址 : www.rinnai.com.hk/mo

Malaysia

Rinnai (M) Sdn Bhd
D2-3-G & D2-3-1, Block D2, Pusat Perdagangan Dana 1,
Jalan PJU 1A/46, 47301 Petaling Jaya,
Selangor Darul Ehsan, Malaysia
Tel : (60) 3 7832 0037 / 7832 0038 / 7832 0039
Fax : (60) 3 7832 0036
URL : www.rinnai.com.my

Myanmar | မြန်မာ

Myanmar Kowa International Co., Ltd
No.199, Ground Floor, 34th Street (Upper Block),
Kyauktada Township, Yangon, Myanmar
အမှတ် (၁၉၉)၊ ၃၄ လမ်း (အပေါ်ဘလောက်)၊
ကျောက်တံတားမြို့နယ်၊ ရန်ကင်းမြို့။
Tel ဖုန်း : (95-1) 245925 / 246304 / (95-9) 7300 7773
Fax ဖုန်း : (95-1) 245925
Email အီးမေးလ် : marketing@myanmarkowa.com

Philippines

Mitsui Industria Corporation
10 Buenaventura St., Cor MacArthur
Highway, Dalandan Valenzuela City,
Philippines
Tel : (63) 2 292 9177 / 292 9179
Fax : (63) 2 292 8187

Singapore

Rinnai Holdings (Pacific) Pte Ltd
47 Tannery Lane #05-01/02,
Elite Industrial Building II, Singapore 347794
Tel : (65) 6748 9478
Fax : (65) 6745 9240
Email : service@rinnai.sg
URL : www.rinnai.sg

Thailand | ประเทศไทย

Rinnai (Thailand) Co., Ltd.
61/1 Soi Kingkaew 9, Kingkaew Rd.
Racha Thewa, Bangphli, Samutprakarn 10540, Thailand
บริษัท รินไน (ประเทศไทย) จำกัด
เลขที่ 61/1 ซอยกิ่งแก้ว 9 ถนนกิ่งแก้ว ตำบลราชาเทวะ
อำเภอบางพลี จังหวัดสมุทรปราการ
ประเทศไทย 10540
Tel : (66) 2 3124330-40
Email : lucky02@luckyflame.co.th
URL : www.luckyflame.co.th

Vietnam | Việt Nam

Rong Viet Commerce Company Limited
120 3/2 Street, Ward 12, District 10,
Ho Chi Minh City, Vietnam
Công Ty TNHH Thương Mại Ròng Việt
120 Đường 3/2, Phường 12, Quận 10,
TP. Hồ Chí Minh, Việt Nam
Tel : (84) 8 3862 3409
Fax : (84) 8 5404 1964
Email : info@rongviet-rinnai.com
URL : www.rongviet-rinnai.com