

**MODEL:**

**RH-60ER**

**RH-71ER**

**RH-90ER**

**RH-60ERI**

**RH-71ERI**

**RH-90ERI**

**RH-60EV**

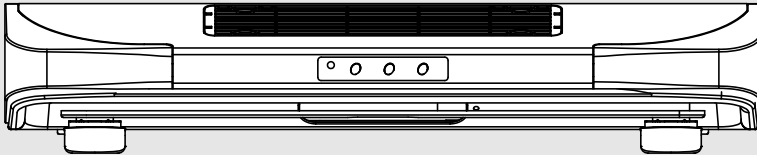
**RH-71EV**

**RH-90EV**

**RH-60EVI**

**RH-71EVI**

**RH-90EVI**



NOMOR TANDA PENDAFTARAN

DIRJEN PDN NO: P.41.R115.00201.0710

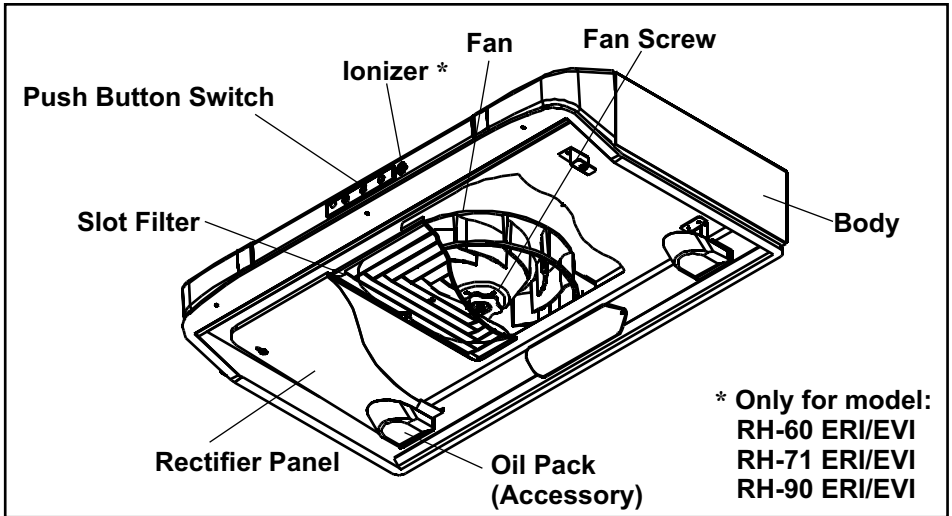
**Tudung Hisap**  
Petunjuk Pemakaian

**Rinnai**

Thank you very much for purchasing Rinnai cooker hoods.  
 Before operating the cooker hoods, please read this "Instruction Manual" thoroughly.  
 Keep this instruction manual in a safe place and do not lose it.

Terima kasih anda telah membeli tudung hisap Rinnai. Sebelum tudung hisap dipergunakan, silakan baca petunjuk pemakaian ini dengan seksama. Simpan buku petunjuk ini ditempat yang aman dan jangan hilang.

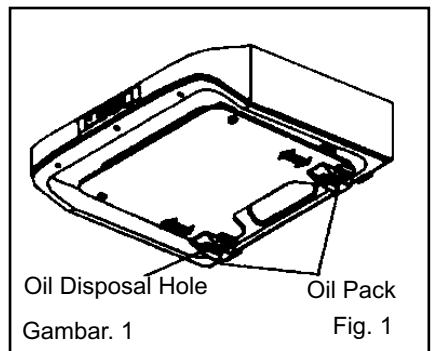
**PART NAME**  
**NAMA PART**



**Mounting the oil pack**  
**Pemasangan oil pack**

Mount the oil pack (left and right) just below the oil disposal hole of the rectifier-panel.  
 Pasang oil pack (kiri dan kanan) tepat dibawah lubang pembuangan minyak di rectifier.

\* If the oil pack is not mounted just below this oil discharge hole, the oil will drop directly to the gas cooker. (Fig. 1)  
 Bila oil pack tidak terpasang tepat dibawah lubang pembuangan minyak, minyak akan jatuh langsung ke kompor. (Gambar 1)



## HOW TO USE **CARA PENGGUNAAN**



Power button  
Tombol power

Electric (Fan) ON/OFF  
Listrik (Kipas) ON/OFF

When the power button is “ON” position Fan start running with the speed according to the speed button position (MIN/MAX).

Ketika tombol power pada posisi “ON” kipas langsung berputar, kecepatan tergantung posisi tombol kecepatan (MIN/MAX).

Ionizer will operate when the power button is “ON” position.

(Model RH-60 EVI/ERI, RH-71 EVI/ERI, RH-90 EVI/ERI).

Ionizer juga akan bekerja pada saat tombol power pada posisi “ON” (Model RH-60 EVI/ERI, RH-71 EVI/ER, RH-90 EVI/ERI).

Speed button MIN  
Tombol kecepatan MIN

For light cooking (For instance, steaming, light fried and etc..)

Untuk memasak ringan (Misalnya untuk merebus, menggoreng biasa dll).

Speed button MAX  
Tombol kecepatan MAX

For heavy cooking (For instance, deep fried and etc..)

Untuk memasak berat (Misalnya untuk menggoreng dengan minyak yang banyak dll).

Lamp button  
Tombol lampu

Lamp turn ON/OFF  
Lampu ON/OFF

## MOUNTING OF LIGHT BULB **MEMASANG LAMPU**

- A 40 W mini-light bulb has been mounted to this cooker hoods.

Lampu (bohlam) 40W sudah terpasang di tudung hisap ini.

- To replace the light bulb, remove the lamp cover

Untuk mengganti lampu, buka tutup lampu.

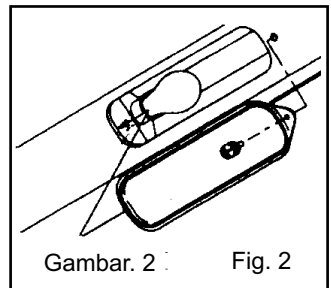
- Buy a mini-light bulb (in the base diameter 14mm), rated 220V-40W or below for replacement. (Fig. 2)

Beli lampu (E14) dengan voltage 220V-40W atau lebih rendah sebagai pengganti. (Gambar 2)

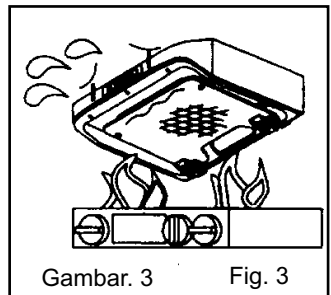
## CAUTION **PERHATIAN**

- If a gas cooker / hob is turned on with fire and nothing is being placed on it (eg. Wok, pan etc..), the body of the cooker hoods will be heated and problem may arise.

Bila kompor gas/hob menyala tanpa ada peralatan di atasnya (pengorengan, panci dll.), body tudung hisap akan menjadi panas dan akan menimbulkan masalah.



Gambar. 2      Fig. 2



Gambar. 3      Fig. 3

## HOW TO SERVICE CARA PERAWATAN

To prevent grease build-up, clean the cooker hoods periodically by cleaning the slot filter once or twice month

Untuk mencegah tumpukan minyak, bersihkan tudung hisap secara periodik dengan membersihkan slot filter satu atau dua kali setiap bulannya.

### Caution for Servicing Perhatian saat Service

- Before replacing the light bulb or cleaning the cooker hoods, be sure to turn the push-button switch OFF, and then put the power plug off from a receptacles.

Sebelum mengganti lampu atau membersihkan tudung hisap, pastikan tombol pada posisi OFF, dan kemudian cabut steker dari stop kontak.

- For safety reason always wear a pair of rubber gloves while cleaning the filter. (Fig. 4)

Untuk keamanan selalu gunakan sepasang sarung tangan karet pada saat membersihkan filter. (Gambar 4)

- Especially, be careful to prevent such electronic parts as the motor, switch, connectors or the like from being splashed with water. (Fig. 5)

Do not use a spray type detergent to clean the electric appliances parts.

Untuk mencegah kerusakan pada part elektrik seperti motor, switch, connector atau sejenisnya agar berhati-hati dari percikan air. (Gambar 5)

Jangan gunakan detergent jenis semprot untuk membersihkan part alat listrik.

- Do not use such solvents as thinner, benzine or the like and polishing powder for cleaning the painted surfaces, facing plates, etc. As these parts may become lusterless or scored.

Jangan menggunakan cairan solvent seperti thinner, bensin atau sejenisnya dan polishing powder untuk membersihkan permukaan cat atau panel depan dll, akan menyebabkan part menjadi buram atau kusam.

- Do not wash parts with a hard brush or the like for cleaning as they can be damaged.

Jangan mencuci part dengan menggunakan sikat yang keras atau sejenisnya akan menyebabkan kerusakan.

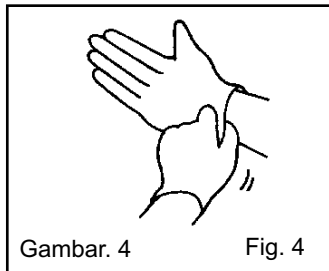
### Dismantle Membongkar

- (1) Remove the oil pack

Melepas oil pack

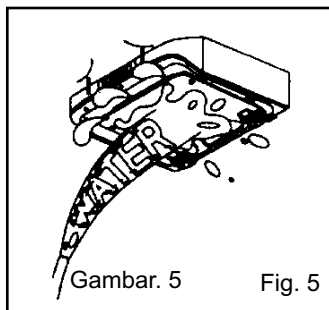
- Hold the oil pack at both ends and slide forward (Fig. 6)

Pegang oil pack pada kedua ujungnya dan geser ke depan. (Gambar 6)



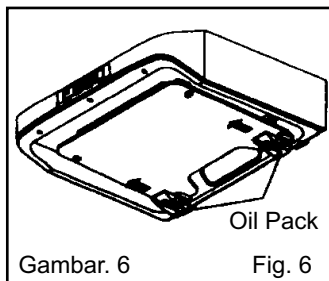
Gambar. 4

Fig. 4



Gambar. 5

Fig. 5



Gambar. 6

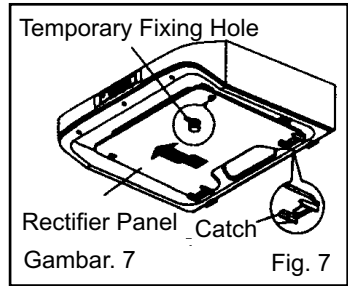
Fig. 6

(2) Remove the rectifier panel

Melepas rectifier panel

- By loosening the mounting screws from the rectifier panel dislocated the temporary fixing holes of the rectifier panel from the mounting screw, then move the rectifier panel forward in order to remove it from the catches of the body. (Fig. 7)

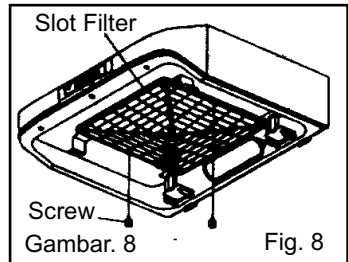
Kendurkan screw pengikat pada rectifier panel kemudian geser ke depan maka rectifier akan terlepas. (Gambar 7)



(3) Remove the slot filter

Membuka slot filter

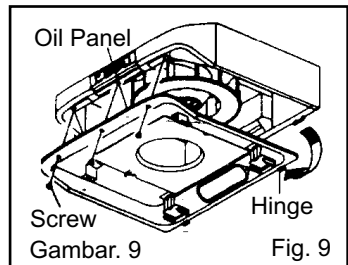
- Hold the slot filter and remove the screws (Fig. 8)
- Pegang slot filter dan lepas baut pengikat. (Gambar 8)



(4) Remove the oil panel

Membuka oil panel

- Hold the oil panel, remove the 3 screws (refer Fig.9) and bring the panel down slowly.
- Pegang oil panel, lepas 3 baut (sesuai Gambar 9) dan tarik panel ke bawah.



(5) Remove the fan

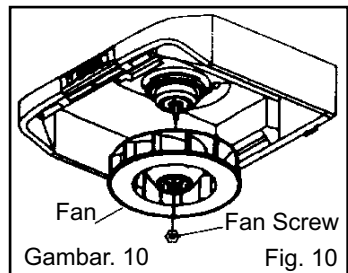
Membuka fan (kipas)

- Hold the fan and turn the fan screw to the “loosen” direction.

The fan screw will come off and the fan will be removed. (Fig. 10)

Pegang fan dan putar baut fan ke posisi buka.

Fan screw langsung terbuka dan fan akan terlepas. (Gambar 10)



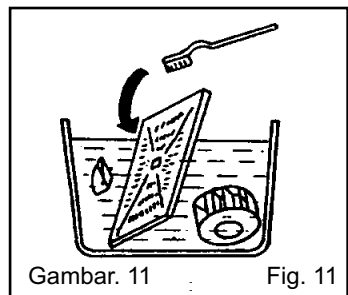
Cleaning  
Membersihkan

(1) Washing the slot filter, fan and oil pack

Mencuci slot filter, fan dan oil pack

- After immersing the slot filter, fan and oil pack in a tepid water with a neutral detergent dissolved for 30 to 40 minutes, wash it with a toothbrush or the like to remove grease and dirt. (Fig. 11)

Setelah direndam ke dalam air hangat dengan detergent netral selama 30 - 40 menit, slot filter, fan dan oil pack kemudian bersihkan dengan sikat gigi atau sejenisnya untuk melepas minyak dan kotoran. (Gambar 11)

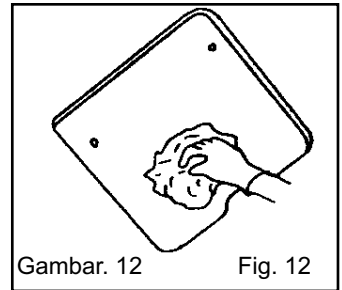


(2) Cleaning the rectifier panel

Membersihkan rectifier panel

- Wash it in a tepid water with a neutral detergent dissolved and then after washing it with water again, wipe the rectifier panel thoroughly with cloth. (Fig.12)

Cuci dengan air hangat gunakan larutan detergent netral, kemudian bilas dengan air, lap rectifier panel dengan kain lap. (Gambar 12)

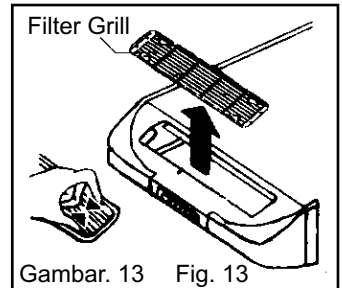


(3) Cleaning the cooker hoods body

Membersihkan body tudung hisap

- Wipe the cooker hoods body with a cloth immersed in a neutral detergent.

Lap body tudung hisap dengan kain lap yang dicelup dengan detergent netral.



(4) Cleaning the motor

Membersihkan motor

- Clean the motor by removing dust and other dirt with dried cloth.

Do not use water for cleaning the motor.

Bersihkan motor dari debu dan kotoran lainnya dengan lap kering.

Jangan menggunakan air untuk membersihkan motor.

(5) Change the smell reducing filter if dirty and saturated.

(only for RH-60 ER / RH-71 ER / RH-90 ER)

RH-60 ERI / RH-71 ERI / RH-90 ERI)

Mengganti smell reducing filter bila kotor dan jenuh. (Hanya model RH-60 ER / RH-71 ER / RH-90 ER)

RH-60 ERI / RH-71 ERI / RH-90 ERI)

How to change smell reducing filter :

Cara mengganti smell reducing filter :

- Hold the handles of both ends of filter grill and pick it up. (Fig. 13)

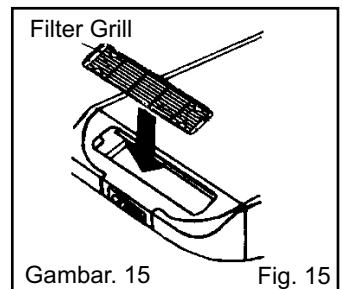
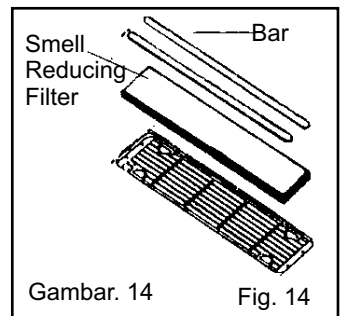
Pegang handle di kedua ujungnya dan angkat. (Gambar 13)

- Take out the bars from filter grill and then change smell reducing filter with new one. (Fig. 14)

Lepas besi dari filter grill kemudian ganti smell reducing filter dengan yang baru. (Gambar 14)

- Assemble the filter grill and install it. (Fig. 15)

Pasang filter grill. (Gambar 15)



## Assembly Pemasangan

- (1) Make sure that the fan screw, fan, slot filter, rectifier, oil pack, etc, are correctly fixed.  
Pastikan fan screw, fan, slot filter, rectifier, oil pack dll. sudah terpasang dengan benar.
- (2) Incorrect assembly may result in vibration or weaker air-flow.  
Pemasangan yang salah akan menyebabkan getaran atau kebocoran aliran udara.

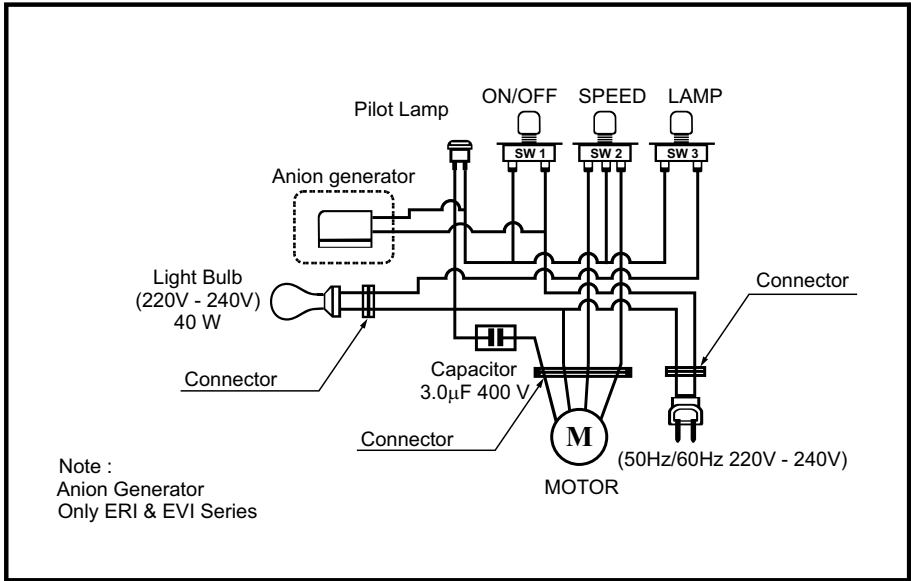
## Caution Perhatian

- **Don't touch the spout of negative ion on the front panel, the static electricity sometimes may occur during the operation. (Only for RH-60ERI/EVI, RH-71ERI/EVI, RH-90 ERI/EVI)**  
**Jangan menyentuh ionizer cover pada bagian front panel, kadang kala ada konsentrasi listrik statis selama pengoperasian. (Untuk RH-60ERI/EVI, RH-71ERI/EVI, RH-90ERI/EVI).**
- When mounting the fan, fix the notch of fan to the motor axis pin and push them together before tightening the fan screw.  
Ketika memasang fan, masukkan lubang pada fan ke poros motor dan tekan bersamaan sebelum fan screw dikencangkan.
- Fix the rectifier panel and the oil pack firmly to prevent dropping.  
Pasang rectifier panel dan oil pack dengan benar agar tidak jatuh.
- To prevent vibration and/or oil leak, tightened the screw and other parts properly.  
Untuk mencegah getaran dan/atau kebocoran minyak, kencangkan baut dan part lain dengan benar.

## SPECIFICATION

Model		RH-60 ER	RH-60 EV	RH-71 ER	RH-71 EV	RH-90 ER	RH-90 EV
		RH-60 ERI	RH-60 EVI	RH-71 ERI	RH-71 EVI	RH-90 ERI	RH-90 EVI
Recycle / Ventilation		Recycle	Ventilation	Recycle	Ventilation	Recycle	Ventilation
Dimension (WxDxH)mm		600x530x150	600x530x150	710x530x150	710x530x150	900x530x150	900x530x150
Weight (kg)		11.5 kg	11.5 kg	12.2 kg	12.2 kg	13.7 kg	13.7 kg
Motor / Fan		1Motor/1 Fan	1Motor/1 Fan	1Motor/1 Fan	1Motor/1 Fan	1Motor/1 Fan	1Motor/1 Fan
Air Volume ( M <sup>3</sup> / H )	MAX	515	515	515	515	515	515
	MIN	325	325	325	325	325	325
Quietness ( dB (A) )	MAX	53.5	52.5	53.5	52.5	53.5	52.5
	MIN	43	42	43	42	43	42
Power Consumption (W)	220V~240V	121	121	121	121	121	121
Lamp (W)		40	40	40	40	40	40
Air Duct dia (mm)		-	150 dia	-	150 dia	-	150 dia
Smoke recovery (%)	MAX	98	98	98	98	98	98
	MIN	75	75	75	75	75	75

# CIRCUIT DIAGRAM



Diproduksi oleh:

## PT. Rinnai Indonesia

1. Jl. Raya Serang KM. 16.8 Desa Talaga, Cikupa, Tangerang, Banten.
2. Jl. Raya Serang KM. 29.5 No.700, Kec. Balaraja, Tangerang, Banten.

Layanan Konsumen : 0804-1-889-889  
 WA / SMS Center : 0815-112-99999  
 Web : www.rinnai.co.id